

TYPICAL APPLICATIONS

Potable water pump debris strainer.
 Vacuum side application only.
 For other applications, contact SHURflo.

MATERIALS

Top Housing	Polypropylene
Bowl	Nylon
Gasket	EPDM
Screen	50 Mesh T304 Stainless Steel

SPECIFICATIONS

Inlet Port	1/2" NPSM [Male] or 1/2" Barb
Outlet Port	1/2" NPSM [Male]
Max Temp.	120°F [48°C]
Max Press.	Vacuum Side Only

APPROVALS

IAPMO [Meets NSF 61]

WARRANTY

1 Year Limited Warranty
 See SB-1041 & SB-1050 For Full Warranty Details

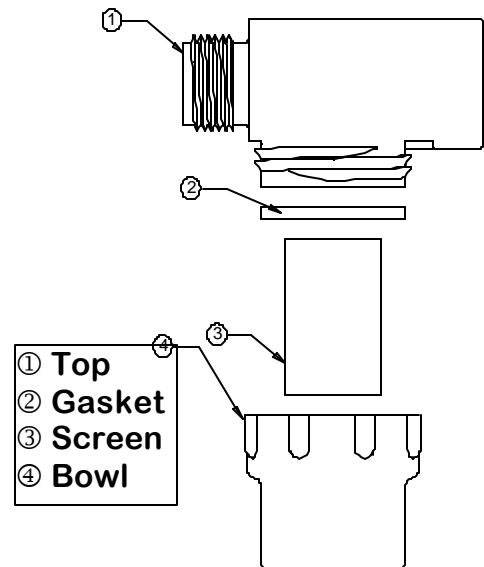
RELATED DOCUMENTS

Catalog	MS-030-083
	MS-030-084
Installation Manual	911-689
Maintenance	911-689
Applications Spec Guide	MS-020-005
Warranty	SB-1041/SB-1050

Strainer



Typical Exploded View ---No Parts Kits Available---



SHURflo reserves the right to update specifications, prices, or make substitutions.

SHURflo, LLC Headquarters
 5900 Katella Avenue
 Cypress, California 90630
 Phone (562) 795-5200 Toll Free (800) 854-3218
 Fax (562) 795-7554

SHURflo, LLC East
 52748 Park Six Court
 Elkhart, Indiana 46514-5427
 Phone (562) 795-5200 Toll Free (800) 854-3218
 Fax (574) 264-2169
 © 2001 SHURflo, LLC All Rights Reserved

SHURflo Europe, Middle East, Africa
Pentair Water Belgium bvba,
 Industriepark Wolfstee, Toekomstlaan 30
 B-2200 Herentals, Belgium
 Phone +32-14-283500 Fax +32-14-283505