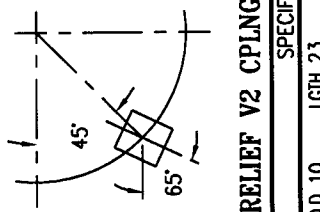
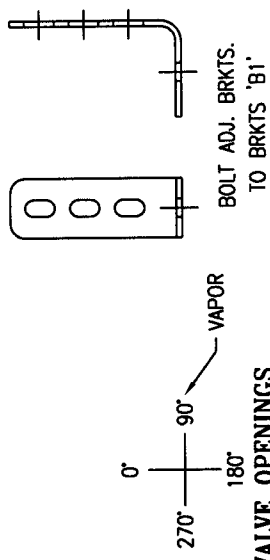
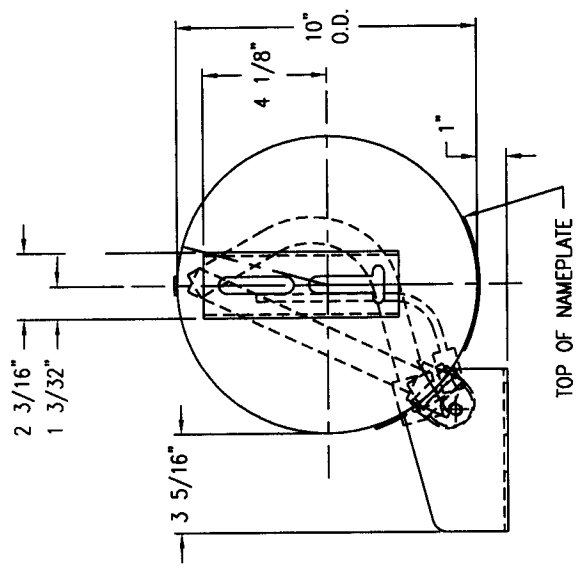
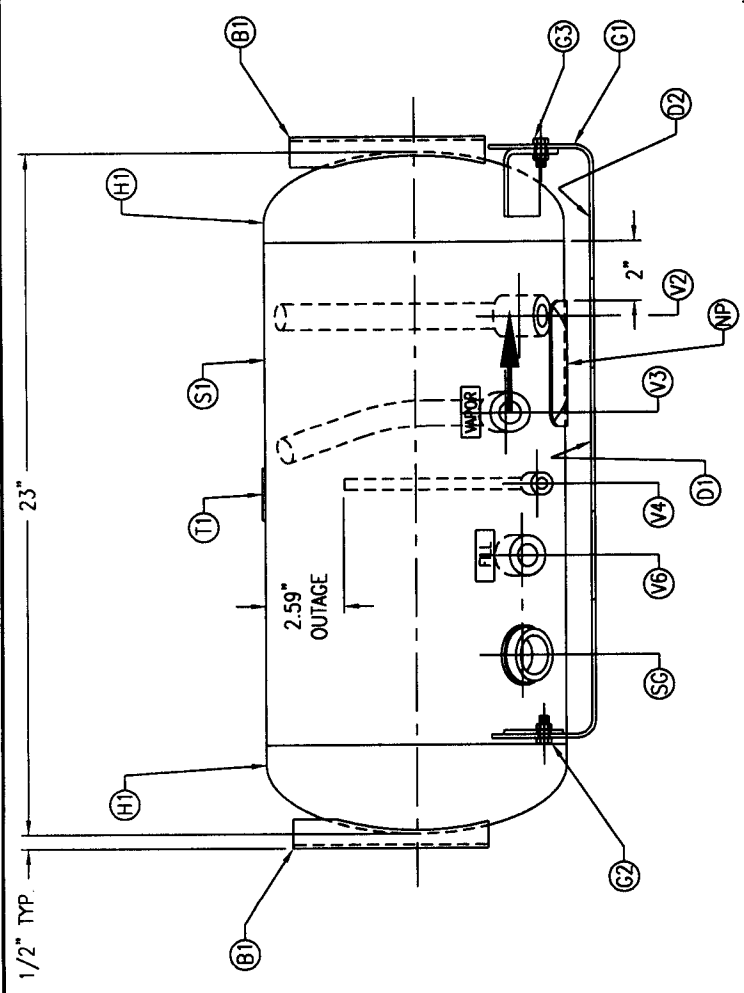


CODE/ADDENDA 2010/A- APPROVED DP  
 RELEASED FOR PRODUCTION  
 O.C. \_\_\_\_\_ DATE \_\_\_\_\_



**RELIEF V2 CPLNG VALVE OPENINGS**

SPECIFICATIONS	
O.D. 10	LGH. 23
MAMP 312	PSI @ 650 °F
RT- MDMT	-20°F @ 312 PSI
EXMT	TEST PSI
XRAY	WT. 43#
CRN F2193.1234567890	CORR ALW SH HD
WELD DETAILS: M-1932	CODE: ASME SEC. VIII DIV. 1,
STD. TOLERANCES (UNLESS OTHERWISE NOTED): M-2461	LATEST EDITION & ADDENDA

**SG FLANGE**      **FILL V6 CPLNG**      **OUTGAGE V4 CPLNG**      **VAPOR V3 CPLNG**

SYM	DATE	BY	REVISION	APP	REF	REV	NOTES
D		EG8		MR			1. CENTER THE 3"x 3.1/4" CUT-OUT IN THE GUARD UNDER THE FILL CPLNG.
E		EG8		EG8			
F		TA		TA			
G		EG8		EG8			

METERRATF001\DWG\6000\

**VAPOR APPLIANCE TANK**

DRAWN BY	DATE	SCALE:	NONE
DN			
APP. BY	DATE	DRAWING NO.	6813
JD			

Revision :T Revision Date: 06-03-11 Effective As of: 12-13-11  
Generic Configuration

ITEM*	1...5..8	PART#/PLANT.....	FD#	DESCRIPTION.....	QTY.....	UM
1	1.....	A6813-SL	S1	SHELL .097 X 10OD X 17	1.00000	EA
2	1.....	H11001	H1	HEAD SE .094M X 10OD	2.00000	EA*
3	1.....	A60265	V2	TBNG ASY 3/4 NPT X 9-5/8	1.00000	EA*
4	1.....	A60366	V3	TBNG ASY 3/4NPT X 8 X	1.00000	EA*
5	1.....	A55025	V4	TBNG ASY 1/4NPT X 3-1/4 X	1.00000	EA*
6	1.....	F10170	V6	CPLG HALF 3/4 NPT X 1	1.00000	EA*
7	1.....	F30263	SG	FLANGE 1 NPT RADIAL	1.00000	EA*
8	1.....	A71406	G1	GUARD 10GA X 3.5 X 19.75	1.00000	EA
9	1.....	A54793	G2	GUARD CLIP .134MIN X 1.75	1.00000	EA*
10	1.....	A10070	G2	BOLT HEX5/16-18X3/4 PLTD	1.00000	EA*
11	1.....	A10080	G2	NUT LOCK 5/16-18 PLATED	1.00000	EA*
12	1.....	A89781	G3	CLIP GUARD 3/16 X 1.5 X	1.00000	EA
13	1.....	A10070	G3	BOLT HEX5/16-18X3/4 PLTD	1.00000	EA*
14	1.....	A10080	G3	NUT LOCK 5/16-18 PLATED	1.00000	EA*
15	1.....	A53495	B1	BRKT CHNL .119MIN X 3.625	2.00000	EA*
16	1.....	V12510	T1	TAB TOP STEEL	1.00000	EA*
17	1.....	A55019	NP	NPLT ASME .06X304 NON-NB	1.00000	EA
18	1.....	P21199	NP	CHEMICAL WASHER EC-260	0.07000	LB*
19	1.....	P21205		CHEMICAL WASHER EP-699	0.11000	LB*
20	1.....	P20755		PAINT MILLENIUM GRAY 2	0.27000	LB*
21	1.....	V20479	V2	VALVE RLF 3/4 NPT	1.00000	EA*
22	1.....	V20373	V3	VALVE VAP POL X 3/4 NPT	1.00000	EA*
23	1.....	V20058	V4	VALVE OUTG DIRECT 1/4NPT	1.00000	EA*
24	1.....	V20070	V6	VALVE 80% STOP FILL	1.00000	EA*
25	1.....	G12632	SG	SIGHT GAUGE JR 10DIA L45	1.00000	EA*
26	1.....	S33502	V3	DECAL PURGING FOR ALL	1.00000	EA*
27	1.....	V11011	V3	5/8 X 1.3/4 VAPOR DECAL	1.00000	EA*
28	1.....	V10820	V4	DIAL STOP FILL .01IN 8B35	1.00000	EA*
29	1.....	S35563	V6	BAG ZIPLOCK 4.5 X 5 WITH	1.00000	EA*
30	1.....	S35591	V6	TIE PLASTIC 5IN LONG	1.00000	EA*
31	1.....	S33108	V6	HELPFUL HINTS LEAFLET	1.00000	EA*
32	1.....	V11001	V6	TAB FILL ADHESIVE BACKED	1.00000	EA*
33	1.....	S33249	D1	DECAL 80% STOP FILL	1.00000	EA*
34	1.....	S10950	D2	DECAL VAPOR APPL CAUTION	1.00000	EA*
35	1.....	S36007		LABEL ADHESIVE RELIEF	1.00000	EA*
36	1.....	S33933		PKG ASY 14" RV 15PK	1.00000	EA
37	1.....	S33822		STRETCH WRAP 20IN WIDE X	40.00000	FT*
38	1.....	A15550	B1	BRKT ADJ 3/16 X 2 X 8.1/2	2.00000	EA*
39	1.....	A53618	B1	BOLT CARRIAGE 1/2-13 X	4.00000	EA*
40	1.....	A53619	B1	NUT HEX1/2-13	4.00000	EA*

4 items were processed

Assembly 6813