



USA
SERVICE OFFICE
Dometic Corporation
1120 North Main Street
Elkhart, IN 46514

CANADA
Dometic Corporation
46 Zatonski, Unit 3
Brantford, ON N3T 5L8
CANADA

**SERVICE CENTER &
DEALER LOCATIONS**
Please Visit:
www.eDometic.com

BACK CHANNEL SPACER KIT

3312853.025(#)

INSTALLATION INSTRUCTIONS

**BACK CHANNEL
SPACER KIT**

3312853.025(#)

REVISION A
Form No. 3314646.000 12/16
(French 3314647.000_A)
©2016 Dometic Corporation
LaGrange, IN 46761




Read these instructions carefully. These instructions **MUST** stay with this product.

TABLE OF CONTENTS

DOCUMENT SYMBOLS	2
IMPORTANT SAFETY INSTRUCTIONS.....	2
A. Recognize Safety Information	2
B. Understand Signal Words.....	2
C. Supplemental Directives.....	2
D. General Safety Messages	2
GENERAL INFORMATION.....	3
A. Scope Of Delivery.....	3
PROCEDURE.....	3
A. Procedure Requirements.....	3
B. Install Bottom Back Channel Spacers	3
C. Install Top Mounting Brackets & Top Back Channel Spacers.....	4
D. Complete Installation	4

DOCUMENT SYMBOLS

 Indicates additional information that is not related to physical injury.

 Indicates step-by-step instructions.

IMPORTANT SAFETY INSTRUCTIONS

This manual has safety information and instructions to help users eliminate or reduce the risk of accidents and injuries.

A. Recognize Safety Information



This is the safety alert symbol. It is used to alert you to potential physical injury hazards. Obey all safety messages that follow this symbol to avoid possible injury or death.

B. Understand Signal Words

A signal word will identify safety messages and property damage messages, and will indicate the degree or level of hazard seriousness.



WARNING **WARNING!** indicates a hazardous situation that, if not avoided, could result in death or serious injury.



CAUTION **CAUTION!** indicates a hazardous situation that, if not avoided, could result in minor or moderate injury.

NOTICE

NOTICE. is used to address practices not related to physical injury.

C. Supplemental Directives



Read and follow all safety information and instructions to avoid possible injury or death.

Read and understand these instructions before installing this product.

Read and follow all safety information within awning installation instructions (provided with awning hardware) to avoid possible injury or death.

Read and understand the awning installation instructions (provided with awning hardware) before installing this kit.

Incorrect installation can lead to serious injury. Follow all installation instructions.

The installation must comply with all applicable local or national codes.

D. General Safety Messages



WARNING **FAILURE** to obey the following warnings could result in death or serious injury.

- This product **MUST** be installed by a Dometic Corporation Service Center or a qualified service technician.
- Do **NOT** modify this product in any way. Modification can be extremely hazardous.
- Any deviation from the prescribed installation instructions within this manual could be hazardous. Consult Dometic Corporation for written approval and safety certification / verification **BEFORE** attempting to deviate from these instructions.

GENERAL INFORMATION

A. Scope Of Delivery

- (2) Top Back Channel Spacer
- (2) Bottom Back Channel Spacer
- (2) Top Bracket Spacer

- (12) #14-10 X 2" Hex Head Screw
- (4) 3/16" X 1" Oscar Rivet
- (1) Installation Instructions

PROCEDURE

A. Procedure Requirements

⚠ WARNING IMPORTANT safety information is included within the awning installation instructions (provided with awning hardware). Refer to those instructions for a safe, secure installation. Failure to obey this warning could result in death or serious injury.

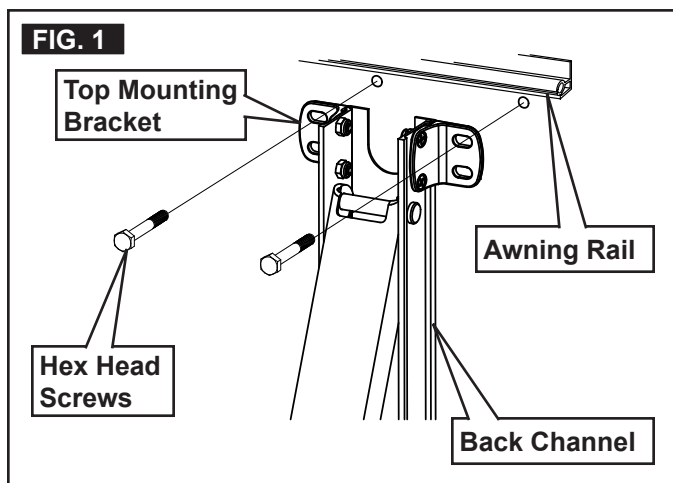
This procedure requires information included within the awning installation instructions. Some steps cannot be completed successfully without it.

B. Install Bottom Back Channel Spacers

i At least two other people are required to hold and control awning hardware until top mounting brackets and back channels are properly installed with spacer kit.

- 1. Attach (install) awning fabric to awning rail.
- 2. When arm assemblies are in desired location (not restricting use of doors, windows, etc.), secure top mounting bracket (to a suitable mounting surface on RV) with (2) hex head screws (provided). See (FIG. 1).

i Do **NOT** tighten screws all the way. The top bracket spacer will be mounted later.

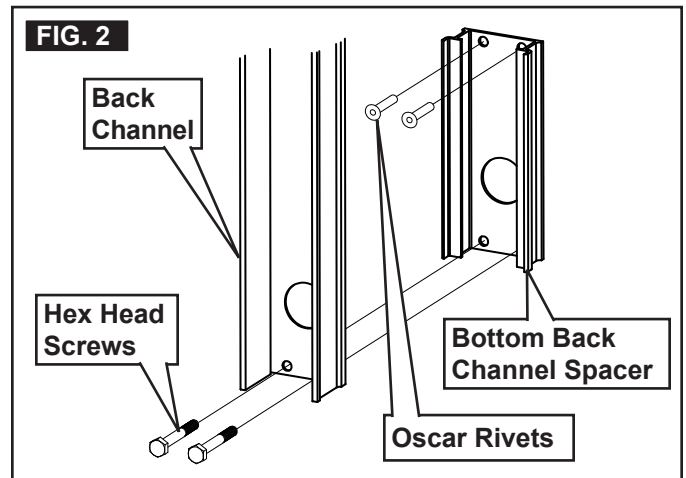


- 3. Repeat step (2) for opposite side.

- 4. **NOTICE.** Do **NOT** pull back channel away from RV wall more than what the slack in mounting screws allow. Excessive torque will damage the top mounting bracket / back channel.

Align bottom back channel spacer with the bottom two mounting hole locations (and large hole) of back channel, then mark the four mounting hole locations of spacer. See (FIG. 2).

i Make sure back channel is square to RV and FRTA.



- 5. Drill 3/16" diameter holes (7/32" diameter if drilling steel) through marked hole locations and into solid structure of RV.
- 6. Apply sealant to oscar rivets (provided with awning hardware). Then place rivets through the top two hole locations **ONLY** of bottom back channel spacer, and secure to solid structure of RV. See (FIG. 2).

i Structural backing should be 3/8" to 1/2" thick to accommodate oscar rivets.


- 7. Place and tighten hex head screws (provided) through the bottom two hole locations of back channel, through bottom back channel spacer, and into solid structure of RV. See (FIG. 2).

i Do **NOT** tighten screws all the way. Some slack is required for later steps.

- 8. Repeat steps (4) through (7) for opposite side.

PROCEDURE

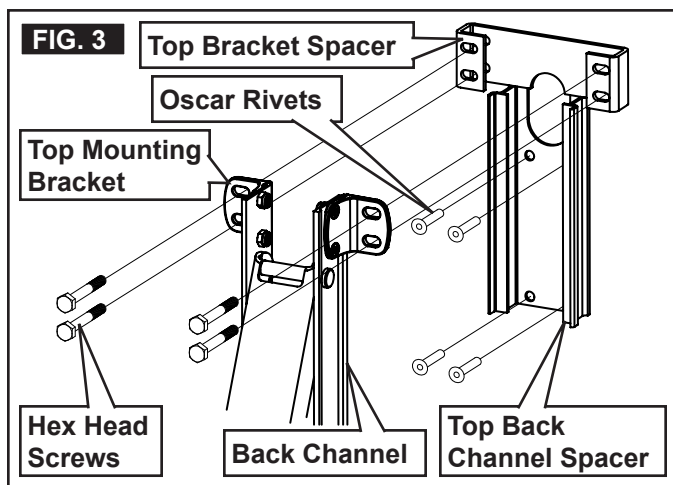
C. Install Top Mounting Brackets & Top Back Channel Spacers

-  1. **NOTICE.** Control arm assemblies while removing top mounting screws. When weight of FRTA is not supported, downward force could cause arm assemblies to swing sideways and damage RV.


While holding arm assemblies securely, remove hex head screws from top mounting bracket. See (FIG. 1).

2. **NOTICE.** Do **NOT** pull back channel away from RV wall more than what the slack in mounting screws allow. Excessive torque will damage the top mounting bracket / back channel.

Align top bracket spacer with slot locations of top mounting bracket, then mark the four mounting hole locations of spacer. See (FIG. 3).




3. Align top edge of top back channel spacer with bottom edge of top bracket spacer, then mark the four mounting hole locations of top back channel spacer. See (FIG. 3).
4. Drill 3/16" diameter holes (7/32" diameter if drilling steel) through marked hole locations and into solid structure of RV.
5. Apply sealant to oscar rivets (provided with awning hardware). Then place rivets through the four hole locations of top back channel spacer, and secure to solid structure of RV. See (FIG. 3).

 Structural backing should be 3/8" to 1/2" thick to accommodate oscar rivets.

6. Apply sealant to hex head screw threads (provided). Then place and tighten screws through top mounting bracket, through top bracket spacer, and into solid structure of RV. See (FIG. 3).
7. Repeat steps (1) through (6) for opposite side.

D. Complete Installation

-  1. Remove hex head screws from bottom of back channel. See (FIG. 2).
2. Apply sealant to hex head screw threads (provided). Then place and tighten screws through the bottom two hole locations of each back channel, through bottom back channel spacer, and into solid structure of RV. See (FIG. 2).
3. Repeat steps (1) through (2) for opposite side.
4. Follow awning hardware installation instructions to complete installation.