



## Installation Instructions for Hitch Mount Skid Rollers

(PN #48-979017, PN#48-979018)

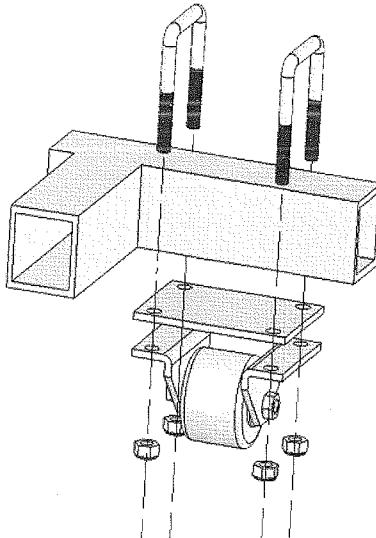


Illustration 1

1. Refer to **Illustration 1** above. Place 2 U bolts above the RV hitch bar to the right of the receiver opening.
2. Position the mounting plate and skid roller assembly under the RV hitch bar.
3. Complete the assembly using the 4 self locking nuts as shown in **Illustration 1**.
  - a. Use a 3/4" wrench to tighten the lock nuts. Alternate tightening each lock nut a little at a time until all lock nuts are tight.
4. To mount second skid roller, repeat 1 thru 3 on the left side of hitch receiver opening.
5. Grease roller bearings through the zerk fittings before use.

### Parts List

No.	Name	QTY
1	skid roller	2
2	mounting plate	2
3	2 U bolts	4
4	lock nuts	8