



INSTALLATION INSTRUCTIONS

FOR

3307896.005 REFRIGERATOR HINGE REPAIR KIT (Beige)

and

3307910.004 REFRIGERATOR HINGE REPAIR KIT (Black)

KIT CONTAINS:

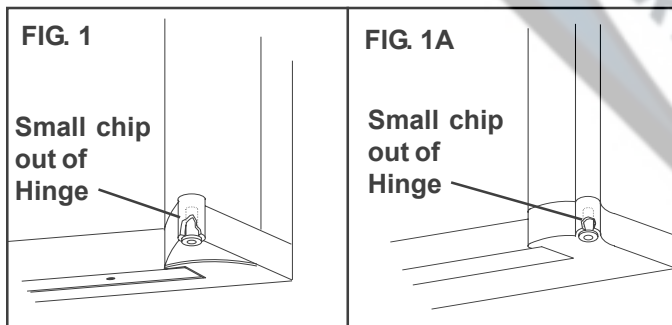
- | | |
|------------------|------------------------------------|
| (1) 3307888.002 | Hinge Plate, RH Top/LH Btm-Blk or |
| 3307886.006 | Hinge Plate, RH Top/LH Btm-Beige |
| (1) 3307889.000 | Hinge Plate, LH Top/RH Btm- Blk or |
| 3307887.004 | Hinge Plate, LH Top/RH Btm-Beige |
| (2) 2931171066 | Bushing, Black or |
| 2931171041 | Bushing, Beige |
| (3) ----- | Screw, #4x0.75 Philips PH |
| (1) 33078997.003 | Installation Instructions |

This Kit is applicable for the following refrigerator models:

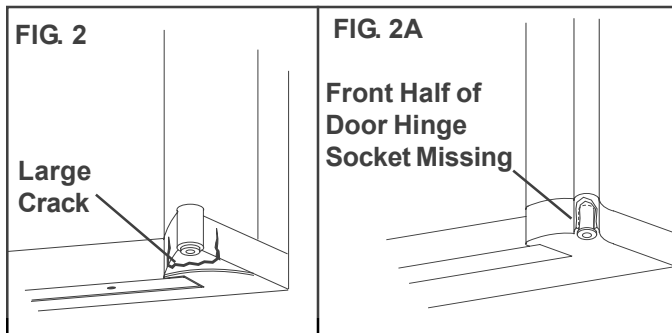
NDR1062	NDR1292	NDR1492
RM1272	RM1282	RM2652
RM2852	RM3662	RM3663
RM3862	RM3863	

INSTALLATION INSTRUCTIONS

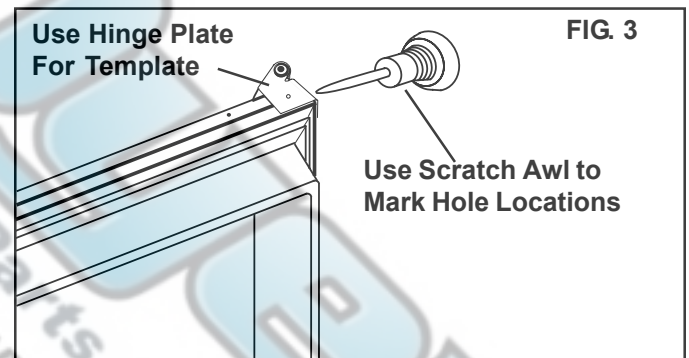
1. Remove refrigerator door(s)(Refer to Owners Manual for detailed instructions on this procedure).
2. Examine the broken area to determine if hinge kit will properly repair the hinge. A substantial amount of the door hinge socket must be remaining to hold the bushing or the repair kit will not allow the door to properly align. See FIG. 1 and FIG. 1A.



3. If the door hinge socket is broken in a way that the bushing cannot be held by the hinge, the entire door must be replaced. See FIG. 2 and Fig. 2A.



4. Locate the correct Hinge Plate in the contents of the kit. Fit the bracket on the broken hinge. Place the bushing in the hinge to properly center the Hinge plate on the broken hinge. Use a scratch awl to mark the location for the screws. See FIG. 3.



5. Pre-drill three 3/32" holes into the door hinges as marked in step 4.
6. Place new bushing in the door hinge socket. Put the hinge plate in place and install the three #4x3/8" screws.
7. Re-install the door back on the refrigerator.

REVISION:

Form No. 3307897.011 4/02
 (Replaces 3307897.003)
 (French 3307898.019)
 ©2002 Dometic Corporation
 LaGrange, IN 46761