



A&E Systems®
by Dometic

ae® OPTIMA
TENSION RAFTER SYSTEM by Dometic

**FOR MODELS
8500 & 9000**

SPECIFICATIONS
OPTIONAL FOR 8 FT. TO 21 FT. AWNINGS
RECOMMENDED FOR 22 FT. TO 25 FT. AWNINGS

	8500 - 9000
Extension	8'
Weight	
Complete Optima	7.5 lbs.
Center Support	2.5 lbs.
Tension Rafter	5.0 lbs.
Colored Hardware Finish	Powder Coat

INDEX

Index # / Pg.	Description
A1-A26 2	Optima Tension Rafter
B1-B13 3	Optima Center Support
C1-C38 5	Optima Tension Rafter Center Support Combo.

USA

SERVICE OFFICE
The Dometic Corp.
509 So. Poplar St.
LaGrange, IN 46761
(219) 463-4858

CANADA

Dometic Dist.
866 Langs Dr.
Cambridge, Ontario
CANADA N3H 2N7
(519) 653-4390

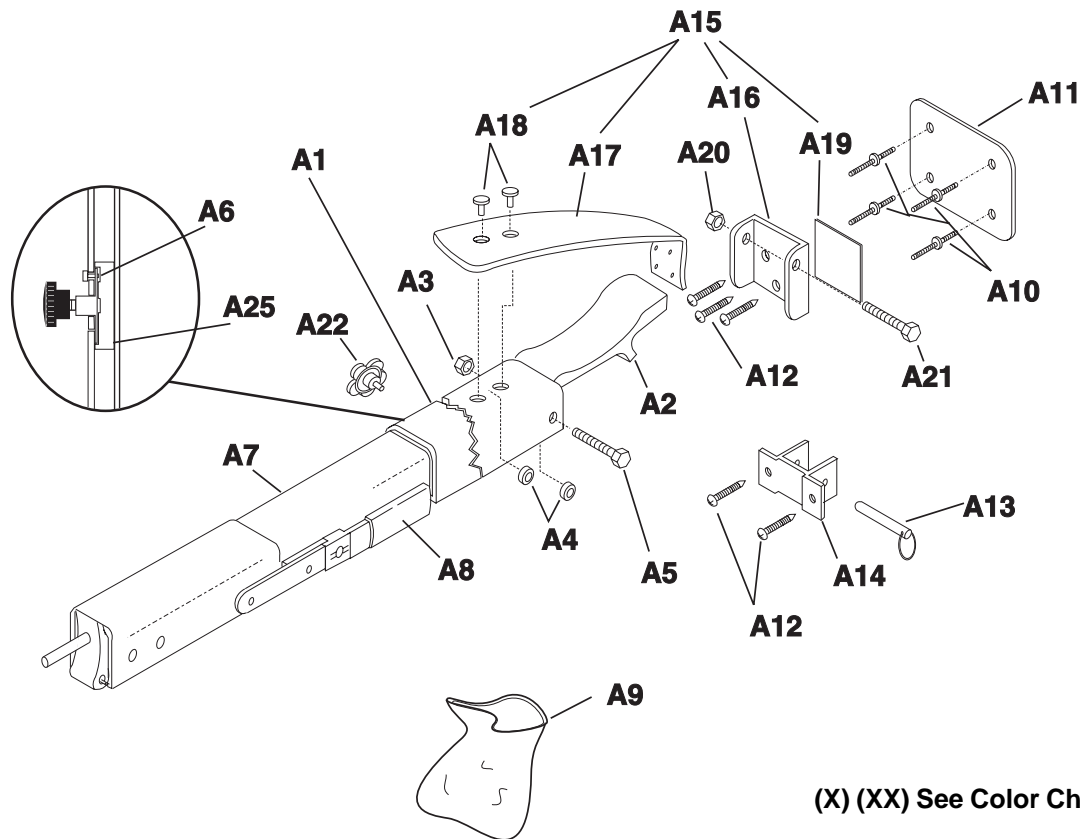
**For Service Center
Assistance Call:**
800-544-4881

PARTS LIST

■ **A&E OPTIMA TENSION RAFTER/CRADLE SUPPORT**
930042

■ **A&E OPTIMA CENTER SUPPORT**
930043

■ **A&E OPTIMA TENSION RAFTER/
CRADLE SUPPORT WITH CENTER
SUPPORT COMBO.**
930039

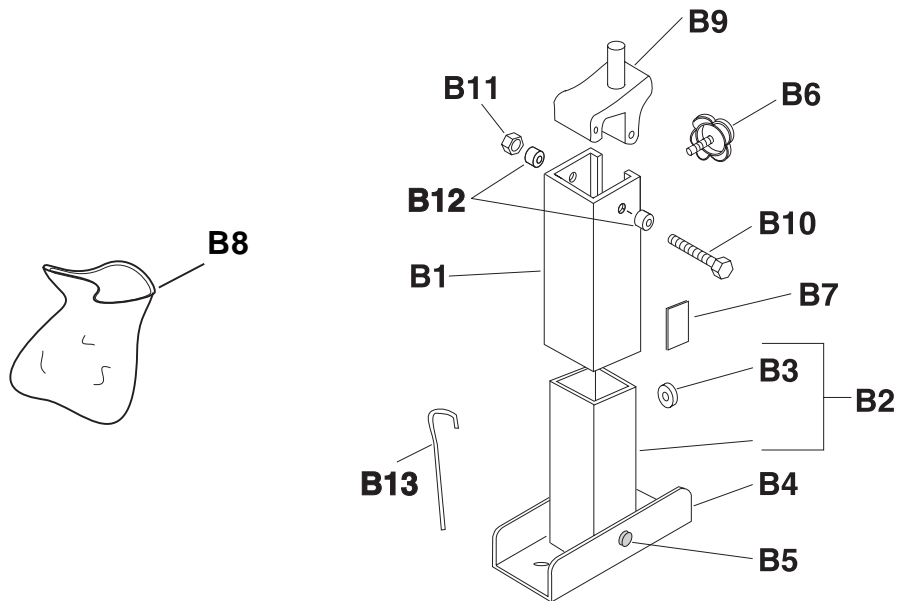
A&E OPTIMA TENSION RAFTER

(X) (XX) See Color Chart on Pg. 5

Item	Description		930042.(X)
A (A1-A25) A&E OPTIMA TENSION RAFTER			
A1 (A2-A6)	Main rafter asm. 52-5/8" long		830760.(XX)
A2 *	Cradle, tension		730491
A3 *	Nut, lock w/insert		317534.006
A4	Washer, nylon (2 req.)		309513.045
A5 *	Screw, hex. cap		3104176.072
A6	Nut, weld		113680
A7 (Includes A8)	Secondary rafter asm. 58" long		830687.(XX)
A8	Grip, vinyl		143340
A9 (A10-A22)	Hardware, bag		830688
A10	Rivet, oscar (4 req.)		113008
A11	Plate, backing		730347
A12 *	Screw, #14-10 (5 req.)		113029
A13	Pin, ball lock		3105818.003
A14	Bracket, storage		730081.001
A15 * (A16-A19) Bracket/Strap			3107076.006
A16	Bracket, tension rafter 730477		
A17	Strap, Optima		3107058.004
A18	Plug, hole		3105830.057
A19	Adhesive, double		3107060.000
A20	Nut, lock w/insert		317534.006
A21	Screw, hex cap		3104176.072
A22	Knob, 5-point		3105421.006
A23	Label, logo (not shown)		160781
A24	Label, Optima (not shown)		160783
A25	Pad, Adj. Knob		730484
A26*	Cradle, asm. (not shown)		3103693.002

* Items included in A26

A&E OPTIMA CENTER SUPPORT

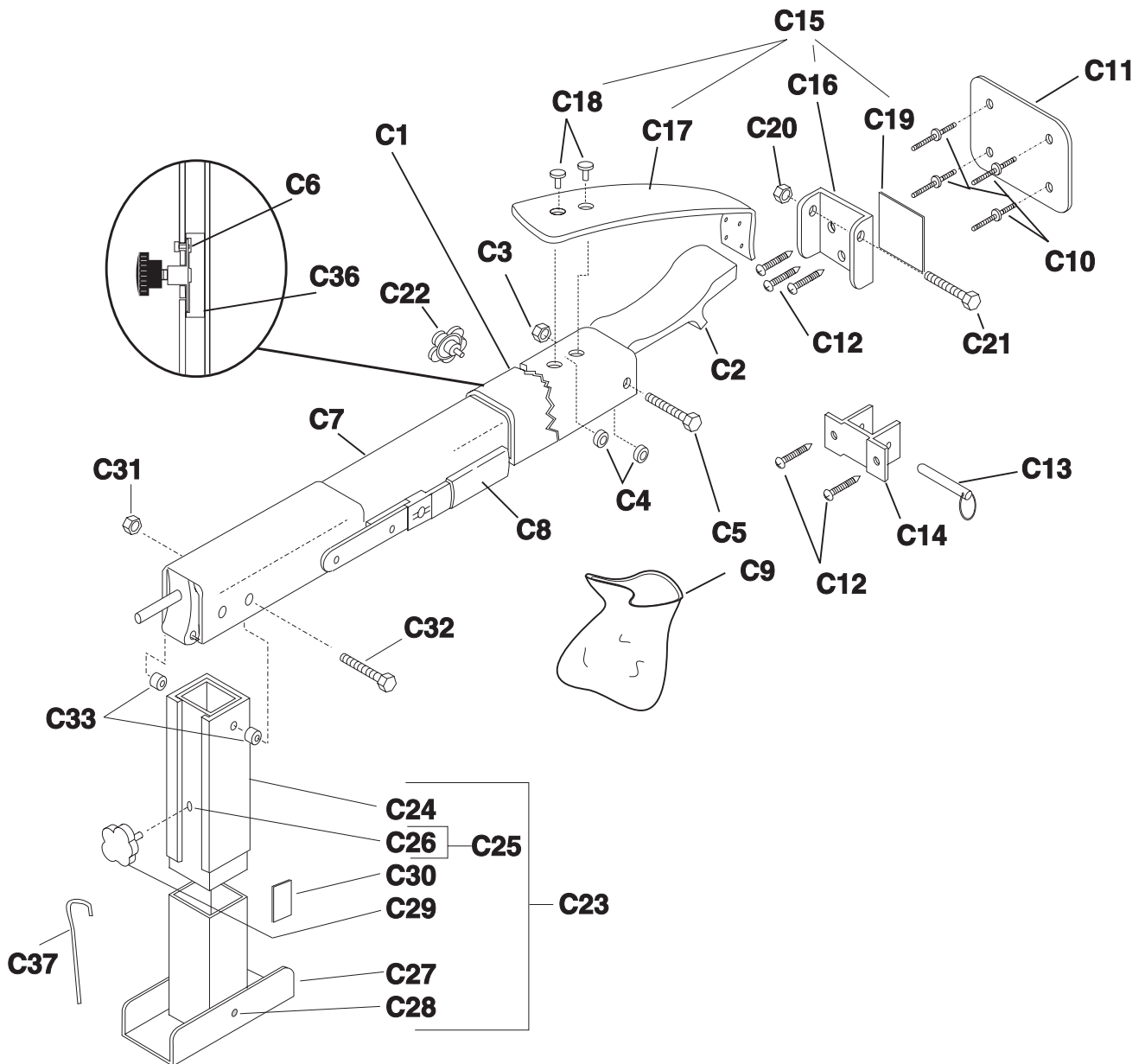


B. (B1-B13) A&E OPTIMA CENTER SUPPORT 930043.(X)

(X) (XX) See Color Chart on Pg. 5

Item	Description	
B1	Arm, support upper	730468.(XX)
B2	(Includes B3) Secondary rafter asm.	830681.(X)
B3	Nutsert, brass	143420
B4	Foot	730439.001
B5	Pin, spring	3104664.085
B6	Knob, 5-point	3105421.014
B7	Label, warning	160784
B8	(B9-B12) Hardware Bag	830690
B9	Bracket, roller asm.	830274
B10	Screw, hex cap	3104176.064
B11	Nut, lock w/insert	317534.006
B12	Sleeve, rubber	730481.002
B13	Stake, tent (2 req.)	3104257.005

C. A&E OPTIMA TENSION RAFTER SYSTEM



C. (C1-C37) A&E OPTIMA TENSION RAFTER SYSTEM 930039.(X)

(X) (XX) See Color Chart on Pg. 5

Item	Description		
C1	Includes (C2-C6) Main rafter asm.	52-5/8" long	830760.(XX)
C2 *	Cradle, tension		730491
C3 *	Nut, lock w/insert		317534.006
C4	Washer, nylon	(2 req.)	309513.045
C5 *	Screw, hex cap		3104176.072
C6	Nut, weld		113680
C7 (Includes C8)	Secondary rafter asm.	58-5/8" long	830687.(XX)
C8	Grip, vinyl, black		143340
C9 (C10-C22)	Hardware bag		830688
C10	Rivet, oscar	(4 req.)	113008
C11	Plate, backing		730347
C12 *	Screw, #14-10	(5 req.)	113029
C13	Pin, ball lock		3105818.003
C14	Bracket, storage		730081.001
C15 *	(C16-C19) Bracket, strap		3107076.006
C16	Bracket, tension rafter		730477
C17	Strap, Optima		3107058.004
C18	Plug, hole	(2 req.)	3105830.057
C19	Adhesive, double		3107060.000
C20	Nut, lock w/insert		317534.006
C21	Screw, hex cap		3104176.072
C22	Knob, 5-point		3105421.006
C23 *** (C25-C30)	Center support		830649.(X)
C24	Arm, support		730468.(XX)
C25 (Includes C26)	Secondary rafter, asm.		830681.(X)
C26	Nutsert, brass		143420
C27	Foot		730439.001
C28	Pin, spring		3104664.085
C29	Knob, 5-point		3105421.014
C30	Label, warning		160784
C31	Nut, lock w/insert		317534.006
C32	Screw, hex cap		3104176.072
C33	Sleeve, rubber	(2 req.)	730481.002
C34	Label, Logo (not shown)		160781
C35	Label, Optima (not shown)		160783
C36	Pad, adjustment knob		730484
C37	Stake, tent (2 req.)		3104257.005
C38 *	Cradle, asm. (not shown)		3103693.002
*	Items Included in C38		
***	Use Center Support complete		930043.(X)

COLOR CHART	
INSERT CORRESPONDING NUMBER	
(X)	(XX)
000 – Satin	001 – Satin
500A – Nutr/Wt	501A – Nutr/Wt
500B – Polar/Wt	501B – Polar/Wt
500C – Gray	501C – Gray
500D – Champ. Bg.	501D – Champ. Bg.
500E – Col/Wt	501E – Col/Wt
500H – Mende Polar White	501H – Mende Polar White