



Owner's Manual

For N41X models - 4.5 cu. ft., 2-way or 3-way, refrigerators.
For N51X models - 5.5 cu. ft., 2-way or 3-way, refrigerators.

The model numbers of 3-way refrigerators include “.3”. The model numbers of 2-way models do not.

The letter “X” in the model number above, stands for a letter or a numeral which means a refrigerator option.



WARNING: Improper installation, adjustment, alteration, service or maintenance can cause personal injury or property damage. Refer to this manual. For assistance or additional information, contact a qualified installer, service agency, or the gas supplier.

FOR YOUR SAFETY

Do not store or use gasoline or other flammable vapors and liquid in the vicinity of this or any other appliance.

FOR YOUR SAFETY

If you smell gas:

1. Open windows.
2. Don't touch electrical switches.
3. Extinguish any open flame.
4. Immediately call your gas supplier.

English

NORCOLD, Inc.
P.O. Box 4248
Sidney, OH 45365-4248

Norcold Customer Support Dept.
Telephone: 800-543-1219
Fax: 937-497-3183
Web Site: www.norcold.com

Table of Contents

For defined warranty terms, please see the one page warranty statement included in the product information packet.

Safety Awareness.....	2
Safety Instructions.....	2
About Your Refrigerator.....	3
Storage volume.....	3
Leveling.....	3
Food compartment.....	3
Flip-up shelf.....	3
Door bins.....	3
Freezer compartment.....	3
Operation during travel.....	3
Door latch for travel and storage.....	3
Temperature control system.....	4
Operating the Refrigerator Controls.....	4
Control Panel.....	4
Automatic mode operation.....	4
Removing the air from the propane gas supply lines.....	4
Set the controls to automatic mode operation.....	5
Set the controls to manual mode operation.....	5
Cooling unit sensing.....	6
Backup operating system.....	6
DC Operation Precautions (3-way models only).....	6
DC Operation Guidelines (3-way models only).....	7
Effects of High Altitude on Propane Gas Operation.....	7
Refrigerator Care Checklist.....	7
Defrosting.....	7
Cleaning.....	8
Drip tray.....	8
Door Sealing.....	8
Refrigerator Maintenance Checklist.....	8
Refrigerator Storage.....	9
Refrigerator Maintenance.....	9
Gas flame appearance.....	9
Remove and clean the burner orifice.....	9
Remove the Refrigerator.....	10
Reinstall the Refrigerator.....	10
Replacement Parts.....	11
Wiring Diagram and Pictorial.....	11
Fault Codes.....	12

Safety Awareness

Read this manual carefully and understand the contents before you use the refrigerator.

Be aware of possible safety hazards when you see the safety alert symbol on the refrigerator and in this manual. A signal word follows the safety alert symbol and identifies the danger of the hazard. Carefully read the descriptions of these signal words to fully know their meanings. They are for your safety.



WARNING: This signal word means a hazard, which if ignored, can cause dangerous personal injury, death, or much property damage.



CAUTION: This signal word means a hazard, which if ignored, can cause small personal injury or much property damage.

Safety Instructions



WARNING:

- The storage of flammable materials behind or around the refrigerator creates a fire hazard. Do not use the area behind the refrigerator to store anything, especially flammable materials (gasoline, cleaning supplies, etc.)
- Do not remove the round ground prong from the refrigerator AC power cord. Do not use a two prong adapter or extension cord on the AC power cord.
- A circuit overload can result in an electrical fire if the wires and/or fuses are not the correct size. Either use the wire and fuse sizes as written in the "Installation Manual" or refer to your local codes or the applicable RVIA Standards for the correct wire and fuse sizes.
- Incorrect installation, adjustment, change to, or maintenance of this refrigerator can cause personal injury, property damage, or both. Have service and maintenance work done by your dealer or by an Norcold authorized service center.
- Disconnect both the AC and DC power sources before doing any maintenance work on the refrigerator. All service work on this refrigerator must be done by a qualified service technician.
- Do not bypass or change the refrigerator's electrical components or features.
- When you discard an appliance, remove all doors to prevent accidental entrapment and suffocation.
- Do not spray liquids near electrical outlets, connections, or the refrigerator components. Many liquids are electrically conductive and can cause a shock hazard, electrical shorts, and in some cases fire.

- The refrigerator cooling system is under pressure. Do not try to repair or to recharge a defective cooling system. The cooling system contains sodium chromate. The breathing of certain chromium compounds can cause cancer. The cooling system contents can cause severe skin and eye burns, and can ignite and burn with an intense flame. Do not bend, drop, weld, move, drill, puncture, or hit the cooling system.
- At regular intervals, make sure that the refrigerator flue the burner, the vent areas, and the ventilation air pathway between the vents are completely free from any flammable material or blockage. After a period of storage, it is especially important to check these areas for any flammable material or blockage caused by animals.



CAUTION:

- The rear of the refrigerator has sharp edges and corners. To prevent cuts or abrasions when working on the refrigerator, be careful and wear cut resistant gloves.

About Your Refrigerator

Storage Volume:

This refrigerator is made to store fresh and frozen foods and for making ice.

	N41X	N51X
Total capacity feet	4.50 cubic feet	5.50 cubic feet
Freezer capacity feet	.81 cubic feet	.81 cubic feet
Food compartment capacity feet	3.69 cubic feet	4.69 cubic feet

Leveling:



CAUTION: The refrigerator is made to operate within 3° off level side-to-side and 6° off level front-to-back (as looking at the front of the refrigerator). Operating it at more than these limits can cause damage to the cooling system and create a risk of personal injury or property damage. Make sure the vehicle is level before you operate the refrigerator.

Operation during travel:

While the refrigerator should be level when the vehicle is stopped, performance during travel is not usually effected.

Food compartment:

Ignite or start up the refrigerator and let it cool for eight hours before loading with food. If the refrigerator does not start to cool down after about two hours, contact your dealer or an authorized Norcold Service Center.

For the best cooling performance:

- Let air move freely inside the entire food compartment.
- Do not cover the shelves with plastic, paper, etc.

To decrease the amount of ice that collects on the cooling fins:

- Cover all liquids and moist foods.
- Let all hot foods cool before putting them in the refrigerator.
- Do not open the door any longer than necessary.

Flip-up shelf:

The flip-up shelf supplies a space to store tall bottles. To use the flip-up shelf, lift the center of the shelf and fold it up against the inside wall of the refrigerator.

Door Bins:

You may put the door bins [52] of the fresh food compartment in a location that best meets your need (See Art01114). To remove the bins, lift them over the locator and pull them forward. To install the bins, push them onto the locator.

NOTE: Do not wash the door bins in a dishwasher. The door bins are not dishwasher safe.

Freezer compartment:

The freezer compartment is made to keep pre-frozen food frozen and not to quick freeze food. Keep pre-frozen foods in the freezer compartment.

NOTE: Do not put other items on the ice tray while the water is freezing. The water freezes more rapidly if the thermostat is at the coldest temperature setting.

Door latch for travel and storage:

During travel, the door latch prevents the door from opening. There are no chains, slides, or any devices that you must engage.

During storage, the door latch prevents the door from completely closing. Use it to prevent odors when the refrigerator is shut down for a long period of time.

To use the door latch for storage (See Art00979):

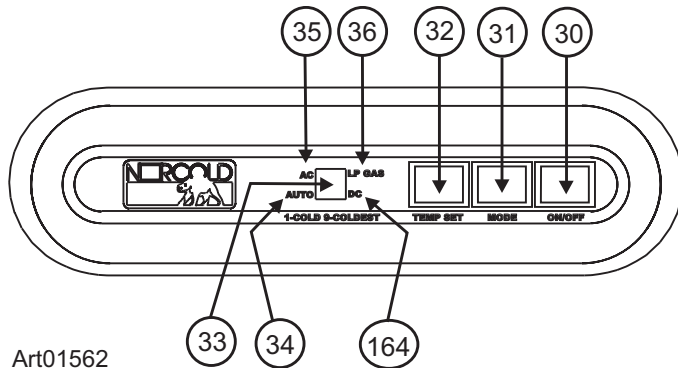
- Open the door just so the door latch [161] is between the ribs [166] of the latch plate [162].

Temperature control system:

Although the refrigerator is not frost-free, it is made to limit frost on the cooling fins. At regular intervals, the temperature control system automatically melts most of the frost from the cooling fins. The water from the cooling fins drains into a collection cup that is attached to the back of the refrigerator. The heat of the cooling system evaporates the water from the collection cup.

Operating the Refrigerator Controls

Control panel:



Art01562

The refrigerator control panel (see Art01562) is above the refrigerator door. A 12 volt DC power supply is necessary for the control functions of the refrigerator to operate. The refrigerator receives DC power from the 12 volt system of the vehicle; either an auxiliary battery, a converter, or the vehicle engine battery.

The ON / OFF button [30] starts and shuts down the refrigerator:

- To turn on the refrigerator, push and release the ON / OFF button.
- To turn off the refrigerator, push the ON / OFF button for one second and then release.

The TEMP SET button [32] controls the temperature adjustment of the freezer and the fresh food compartment. The temperature adjustment that you select does not change if the mode of operation of the refrigerator changes.

- Push the TEMP SET button and the temperature setting "1-9" appears in the center display [33].
- Push and hold the TEMP SET button and the temperature setting changes.
 - When the desired temperature setting shows, release the TEMP SET button.

- The temperature setting shows for ten seconds and then the current operation mode of the refrigerator shows.
- The number "9" is the coldest temperature setting.

The MODE button [31] controls the operation mode of the refrigerator.

- Push and hold the MODE button and a light bar shows in the center display beside each of the four operating modes of the refrigerator, one at a time.
- There is one automatic mode of operation and two manual modes of operation.

NOTE: On 3-way models only, there are three manual modes of operation.

- When the light bar shows beside the mode of operation that you choose, release the MODE button to operate the refrigerator in that mode.

Automatic mode operation:

When the refrigerator is in AUTO mode, it automatically uses the most efficient energy source that is available for operation. During operation, if a more efficient energy source becomes available, the refrigerator controls change from the current energy source to the more efficient energy source as follows:

- The first choice is AC operation if 120 volts AC is available to the refrigerator.
- The second choice is propane gas operation if 120 volts AC is not available to the refrigerator.
- The third choice is DC operation (3-way models only) if neither 120 volts AC nor propane gas is available to the refrigerator.

Removing air from the propane gas supply lines:

For safety reasons, the burner is made to ignite on propane gas within a specified amount of time. When starting the refrigerator for the first time, after storage, or after replacing propane gas tank, the propane gas supply lines can have air in them. Due to the air in the gas supply lines, the burner may not ignite on propane gas within the specified amount of time.

To remove the air from the propane gas supply lines:

- Make sure that all of the gas valves are open.
- Push the ON / OFF button to turn the refrigerator on.
- Push and hold the MODE button until the light bar beside LP GAS [36] shows.
 - This means that the refrigerator is operating on propane gas.
 - If the air in the propane gas supply lines prevents the burner from ignition on propane gas, the fault code "F" will appear in the center display.

- Push and hold the ON / OFF button for one second and then release to turn the refrigerator off.
 - Push the On / Off button to turn the refrigerator on.
 - The refrigerator will start a 30 second trial for ignition.
 - During the 30 second trial for ignition, the refrigerator controls open the gas safety valve and the igniter sparks.
 - After 30 seconds, the refrigerator controls closes the gas safety valve and the igniter stops sparking.
 - When the light bar beside the LP GAS shows and no fault code remains, this means that the refrigerator is operating on propane gas.
 - At this time, all of the air is removed from the propane gas supply lines and you may select AUTO mode of operation if you wish.
 - Depending on how much air may be in the propane gas supply lines, you may need to repeat the 30 second trial for ignition two or three times.
 - If the burner does not ignite on propane gas after two or three attempts, stop and consult your local dealer or an authorized Norcold Service Center.
- On 2 way models only, if neither 120 volts AC nor propane gas is available to the refrigerator:
 - The fault codes "F" and then "A" show in the center display.
 - On 3-way models only, if neither 120 volts AC nor propane gas is available to the refrigerator:
 - The refrigerator control will automatically change to DC electric operation.

NOTE: DC electric operation is less efficient than AC electric and propane gas. Use DC electric operation only to maintain the refrigerator temperature while in transit and if the other energy sources are not available. Do not use DC electric to initially decrease the temperature of the refrigerator.

If an energy source is available to the refrigerator, but is not operating correctly:

- A fault code shows in the center display.
- The refrigerator controls try to change to a less efficient energy source.
- If a less efficient energy source is not available:
 - A fault code shows in the center display.
 - Refer to the "Fault Codes" section of this manual.

Set the controls to automatic mode operation:

- Push the ON / OFF button to turn the refrigerator on.
- Push and hold the MODE button until the light bar shows beside AUTO [34] and then release.
- If 120 volts AC is available to the refrigerator:
 - The light bar beside AC [35] also shows in the center display.
 - After ten seconds, the light bar beside AC goes off and only the light bar beside AUTO remains.
 - This means that the refrigerator is operating on AC electric.
- If 120 volts AC is not available to the refrigerator:
 - The light bar beside AC also shows in the center display.
 - After a few seconds, the light bar beside AC goes off and the light bar beside LP GAS shows.
 - After 10 seconds, the light bar beside LP GAS goes off and only the light bar beside AUTO remains.
 - This means that the refrigerator is operating on propane gas.

Set the controls to manual mode operation:

- Push the ON / OFF button to turn the refrigerator on.
- Push and hold the MODE button until the light bar shows beside AC [35] and then release.
 - This means that the refrigerator is operating on AC electric.
- Push and hold the MODE button until the light bar shows beside LP GAS [36] and then release.
 - This means that the refrigerator is operating on propane gas.
- Push and hold the MODE button until the light bar shows beside DC [164] and then release.
 - This means that the refrigerator is operating on AC electric.

If the energy source is interrupted:

- A fault code shows in the center display.
- Refer to the "Fault Codes" section of this manual.

Cooling unit sensing:

The controls have the ability to sense the operation of the cooling unit. If the controls sense that the cooling unit has stopped cooling:

- The heat sources to the cooling unit are turned off and are locked out by the controls.
- A fault code "n" shows in the Center display.

You can reset the controls and remove this fault code one time. To reset the controls, shut off and then start the refrigerator.

- To turn off the refrigerator, push the ON / OFF button for one second and then release.
- To turn on the refrigerator, push and release the ON / OFF button.

If you reset the controls and the fault occurs again before the refrigerator completes a full cooling cycle:

- The heat sources to the cooling unit are turned off and are locked out.
- A fault code "n" shows in the Center display.
- This time you can not reset the fault. Have the refrigerator serviced by your dealer or a Norcold authorized Service Center as soon as possible.

Backup operating system:

This refrigerator has a backup operating system. The backup operating system allows the refrigerator to continue to cool if the temperature sensor of the refrigerator should fail.

If this failure occurs:

- The refrigerator automatically changes to the backup operating system.
 - When you push the TEMP SET button, the temperature setting flashes in the center display for ten seconds.
 - After the temperature setting flashes, the mode of operation appears in the center display.
- The backup operating system can overfreeze or thaw the contents of the freezer and the fresh food compartment.
 - Make sure the temperatures of the freezer and the fresh food compartment are satisfactory.

NOTE: If you open the door(s) too often, the temperatures inside the freezer and fresh food compartment do not become stable. Allow the refrigerator to operate for about one hour after each adjustment change before you examine the contents. The number "9" is the coldest temperature setting.

- If the temperature is too warm, push and hold the TEMP SET button to raise the temperature setting by one number.
 - If the temperature is too cold, push and hold the TEMP SET button to lower the temperature setting by one number.
- Have the refrigerator serviced by your dealer or an Norcold authorized Service Center as soon as possible.

DC Operation Precautions (3-way models only)

This refrigerator is made to operate on DC power while your vehicle is "in transit" and AC power or propane gas sources are not available. Operate the refrigerator on DC power only when the vehicle engine is running.

For the refrigerator to operate correctly on DC power, the battery must be maintained in a fully charged condition.

For the battery to be fully charged at all times during refrigerator operation on DC, the vehicle engine must be running and the battery charging system must be in good operating condition.

Keep in mind the following electrical precautions for DC operation of the refrigerator:

- Good battery condition is necessary for correct DC operation.
- The capacity of the battery charging system must be more than what is necessary for the refrigerator and other DC appliances.
- While the vehicle engine is running, make sure the voltage of the DC power supply leads at the refrigerator is more than 11.5 VDC.

DC Operation Guidelines (3-way models only)

DC operation is intended only to maintain the temperature of the refrigerator and its contents when they are already cool.

The DC operation is not intended for the initial start up and cooling of the refrigerator. Always use either the AC operation or propane gas operation to initially start up and cool the refrigerator. The refrigerator must be cooled and the temperature must be steady before you operate the refrigerator on DC.

Keep in mind the following guidelines for DC operation of the refrigerator:

- Use DC operation of the refrigerator while the vehicle is in transit.
- Do not use DC operation until the refrigerator and its contents are completely cooled.
- Only use DC operation if the vehicle battery and battery charging system are in good operating condition.

Effects of High Altitude on Propane Gas Operation

When you operate the refrigerator on propane gas at altitudes higher than 5500 feet above sea level:

- You may experience reduced cooling performance of the refrigerator.
- You may experience burner outages.

To avoid these possible problems, Norcold recommends that you operate the refrigerator on AC when at altitudes higher than 5500 feet above sea level.

Refrigerator Care Checklist

Your refrigerator will give you years of trouble free service if you do these simple checks every three to six months:

- Keep the food compartment and the freezer clean. See "Cleaning".
- Defrost the refrigerator as necessary. See "Defrosting".
- Make sure the door seals correctly. See "Door Sealing".
- Be aware of any cooling changes that are not because of weather, loading, or gas control changes. If changes occur, contact your dealer or an authorized Norcold Service Center.
- Make sure the gas supply is propane gas only and not butane or a butane mixture.

Defrosting

The cooling fins of the refrigerator operate at below freezing temperature and will naturally form frost from humidity, which is always present in the air. The humidity inside the refrigerator increases:

- with higher outside temperature and humidity.
- with the storage of non-sealed fresh foods or warm foods.
- with the amount of time that the door(s) are open.
- with any air leakage into the refrigerator.

Although the refrigerator is not frost-free, it is made to limit frost on the cooling fins. At regular intervals, the temperature control system automatically melts most of the frost from the cooling fins. The water from the cooling fins drains into a collection cup that is attached to the back of the refrigerator. The heat of the cooling system evaporates the water from the collection cup.

It is normal for frost to collect inside the freezer. Excess frost decreases the cooling performance of the refrigerator. Defrost the refrigerator and freezer as necessary:

- Remove all food from the refrigerator.
- Turn the refrigerator OFF.

NOTE: Defrosting the refrigerator makes excess water inside the refrigerator.

- Remove the drain hose from the drip cup at the rear of the refrigerator.
- Put the drain hose into a half-gallon or larger container to capture water.
- Put dry towels (etc.) inside the refrigerator and freezer to absorb melted frost.



CAUTION: High temperatures can cause the inside surfaces of the refrigerator to warp or melt. Do not use pans of HOT water, a hair dryer, or any other high temperature devices to defrost the refrigerator. Do not use any hard or sharp objects to remove frost. Damage to the interior of the refrigerator can occur.

- To increase the speed of defrosting, put pans of WARM water in the refrigerator and freezer.
- Remove the wet towels (etc.) and dry the interior.
- Remove the drain hose from the large container and put the drain hose back into the drip cup.
- Remove the large container from the enclosure.

- Start up the refrigerator.
- Allow the refrigerator to cool down.
- Return all food to the refrigerator.

Cleaning

A good time to clean the refrigerator is just after you defrost it.

Clean the inside of the refrigerator as often as necessary to avoid food odors:

- Remove all food from the refrigerator.

NOTE: Do not use abrasive cleaners, chemicals, or scouring pads because they can damage the interior of the refrigerator.

- Wash the interior with a solution of liquid dish detergent and warm water.
- Rinse with a solution of baking soda and clean water.
- Dry with a clean cloth.
- Put all food in the refrigerator.

Drip tray:

To remove and clean the drip tray:

- Locate the plastic clip that is around the wire shelf in front of the drip tray.
- Remove and save the screw that attaches the plastic clip to the inside of the refrigerator cabinet.
- Pull the self forward to remove from the refrigerator
- Make sure that the drip tray is empty of water.
- Pull the drain tube plug out from the inside of the drip tray and out of the drain hose.
- Pull the drip tray forward to remove from the slots in the refrigerator cabinet.
- Clean the drip tray.
- Put the drain tube plug down into the drip tray and push the drip tray back into the original position.
- Push the drain hose back onto the drain tube plug.
- Put the wire shelf and plastic clip back in the original position.
- Attach the plastic clip with the screw.

Door Sealing

If the door does not seal correctly, excess frost will collect inside the refrigerator. Make sure the door seals correctly:

- Close the door on a piece of paper that is about the size and thickness of a dollar bill (See Art00980).
- Gently pull the paper.
 - You should feel a slight drag between the gasket and the cabinet.
- Do this on all four sides of the door.
- If you do not feel a slight drag on the paper, the door is not sealing correctly:
 - Make sure the screws of the hinges are tight.
 - Make sure the door gasket does not touch the door latch:
 - If the door gasket touches the door latch, loosen the screws of the door latch.
 - Raise the door latch just so it does not touch and tighten the screws of the door latch.
 - Make sure the door latch holds the door closed

Refrigerator Maintenance Checklist

Read and understand the following maintenance sections of this manual.

NOTE: Norcold is not responsible for installation, adjustment, alteration, service, or maintenance performed by anyone other than a qualified RV dealer or an authorized Norcold Service center.

Have a qualified RV dealer or an authorized Norcold Service Center do these annual safety and maintenance checks:

- Examine the gas supply lines for leaks.
 - Replace or repair if necessary.
- Make sure the propane gas pressure is 11 inches of water column.
 - Adjust if necessary.
- Make sure the combustion seal is complete and intact.
 - Replace or repair it if necessary.

- Make sure the burner and the burner orifice are clean (See Art00956).
 - Clean if necessary.
- Make sure the electrode spark gap [167] is 1/8 - 3/16 inch (See Art00955).
 - Adjust if necessary.
- Make sure the AC voltage is 108 - 132 volts and the DC voltage is 10.5 - 15.4 volts.
- Make sure the thermocouple tip is clean and secure.
- Make sure the area at the rear of the refrigerator is free of any combustible materials, gasoline, and other flammable vapors and liquids.

Refrigerator Storage

Before the refrigerator is stored for an extended (seasonal) period of time:

- Defrost and clean the interior of the refrigerator.
- Close the doors with the storage latch.

If the refrigerator is stored for an extended period of time, before start up:

- Make sure there are no obstructions in the vents, the ventilation air pathway, the burner, the orifice, or the flue area.

Refrigerator Maintenance

Gas flame appearance:

While in propane gas operation, examine the appearance of the gas flame:

- Push and hold temperature setting button until the "9" shows and then release.
- Open the lower intake vent.



CAUTION: The burner box cover can be hot. Wear gloves to avoid burns.

- Open the burner box door [165] and look at the gas flame [75] (See Art00955 and Art00975).
 - The flame should be:
 - a darker blue color on the inside of the flame and a lighter blue color on the outside of the flame.
 - a constant shape without flickering.
 - Contact your dealer or Norcold authorized service center if the flame is:
 - yellow
 - flickering or changing shape.
 - Make sure the flame does not touch the inside of the flue tube [76].
 - If the flame touches the inside of the flue tube, contact your dealer or an authorized Norcold Service Center.
- Close the burner box door.

Remove and clean the burner orifice:

NOTE: Your dealer or an authorized Norcold Service Center must do this procedure.

To remove and clean the burner orifice:

- Close the valve at the propane gas tank(s).
- Close the manual shut off valve of the refrigerator.
- Shut down the refrigerator..
- Open the lower intake vent.



CAUTION: The burner box cover can be hot. Wear gloves to avoid burns.

- Remove the burner box cover by removing one screw.



WARNING: To avoid possible propane gas leaks, always use two wrenches to loosen and tighten the gas supply line at the refrigerator's manual shut off valve.

- Remove the flare nut from the orifice assembly [77] (See Art00956).
- Remove the orifice assembly from the burner [78].



WARNING: Do not try to remove the orifice [79] from the orifice adapter [80] when cleaning. Removal will damage the orifice and seal of the orifice and can cause a propane gas leak. Leaking propane gas can ignite or explode which can result in dangerous personal injury or death. Do not clean the orifice with a pin or other objects.

- Clean the orifice assembly with air pressure and alcohol only.
- Using a wrench, assemble the orifice assembly to the burner.
 - Assemble the flare nut to the orifice assembly.
 - Tighten the flare nut by hand.
 - Hold the orifice assembly securely and, using a wrench, tighten the flare nut 1/4 revolution only.
- Examine all of the connections for gas leaks.

Remove the Refrigerator

NOTE: Your dealer or an authorized Norcold Service Center must do this procedure.



CAUTION: The rear of the refrigerator has sharp edges and corners. To prevent cuts or abrasions when working on the refrigerator, be careful and wear cut resistant gloves.

1. Close the valve at the propane gas tank(s).



WARNING: To avoid possible propane gas leaks, always use two wrenches to loosen and tighten the gas supply line at the refrigerator's manual shut off valve.

2. Open the lower intake vent and remove the gas supply line from the manual shut off valve of the refrigerator.
3. Remove the AC power cord from the receptacle.
4. Remove the DC wiring from the refrigerator:
 - Remove the DC wiring from the battery or the converter of the vehicle.

- Put a mark on the DC wires so you can put them back in the correct location.
 - Remove the DC wires from the refrigerator.5. Remove the screws which fasten the refrigerator to the floor.
6. Remove the door from the refrigerator.
 7. Remove the screws which fasten the refrigerator to the wall.
 8. Remove the refrigerator from the opening.
 9. Attach the door to the refrigerator.

Reinstall the Refrigerator

NOTE: Your dealer or an authorized Norcold Service Center must do this procedure.



WARNING: Make sure the combustion seal is not broken, is completely around the refrigerator mounting flanges, and is between the mounting flanges and the wall of the enclosure. If the combustion seal is not complete, exhaust fumes can be present in the living area of the vehicle. The breathing of exhaust fumes can cause dizziness, nausea, and in extreme cases, death.

1. Push the refrigerator completely into the enclosure.
2. Remove the door from the refrigerator.
3. Put the screws through the mounting flanges and into the wall.
4. Attach the door to the refrigerator



CAUTION: The rear of the refrigerator has sharp edges and corners. To prevent cuts or abrasions when working on the refrigerator, be careful and wear cut resistant gloves.

5. Open the lower intake vent and put the screws through refrigerator and into the floor.



WARNING: To avoid possible propane gas leaks, always use two wrenches to loosen and tighten the gas supply line at the refrigerator's manual shut off valve.

6. Attach the gas supply line to the manual shut off valve of the refrigerator.
7. Open the valve at the propane gas tank(s).



WARNING: Do not allow the leak checking solution to touch the electrical components. Many liquids are electrically conductive and can cause a shock hazard, electrical shorts, and in some cases fire.

8. Examine the gas supply line for leaks.
9. Connect the DC wiring to the refrigerator:
 - Install the DC fuse or connect the DC wiring to the battery or the converter.
 - Connect the DC wires from the refrigerator.
10. Connect the AC power cord to the receptacle.

Replacement Parts

You may purchase replacement parts through your local RV dealer or an authorized Norcold Service Center.

Wiring Diagram and Pictorial

The parts of the wiring diagram are (See Art01775):
 The parts of the wiring pictorial are (Art01776):

AC heater	A
Thermister	B
Gas valve.....	C
Igniter.....	D
Temperature switch (optional)	E
Fan (optional)	F
DC heater (optinal)	G
Chassis ground.....	H
DC board (optional)	I
Switched 12 VDC	1
Fused continuous 12 VDC.....	2
Communications.....	3
Display ground.....	4
Auxiliary ground (optional).....	5
Auxiliary +12 VDC (optional)	6
Gas valve +12 VDC.....	7
5 A Fuse DC	F1
8A Fuse AC.....	F2
30 A Fuse DC	F3

Fault Codes

Fault Code	Fault Code Meaning	Corrective Actions
No display.	DC voltage is unavailable to the refrigerator control panel or the refrigerator is OFF.	<p>Check:</p> <ul style="list-style-type: none"> - That the refrigerator is ON. - That the battery charging equipment of the vehicle is operational. - The the AC/DC converter is operational (if applicable). - See your dealer or authorized Norcold Service Center.
"F"	The burner did not ignite or re-ignite.	<p>Check:</p> <ul style="list-style-type: none"> - That the valve of the propane gas tank(s) is open. - That the propane gas is at the correct pressure. - That the manual shut off valve of the refrigerator is open. - That there is no air in the propane gas supply line. See "Removing air from the propane gas supply lines" section of this manual.
"A"	AC voltage is unavailable to the refrigerator control.	<p>Check:</p> <ul style="list-style-type: none"> - That the refrigerator is plugged into a serviceable outlet. - That the fuse or circuit breaker is intact. - That the vehicle generator is operational (if applicable). - See your dealer or authorized Norcold Service Center.
"C"	DC voltage to the refrigerator control panel is too low.	<p>Check:</p> <ul style="list-style-type: none"> - That the battery charging equipment of the vehicle is operational. - The the AC/DC converter is operational (if applicable). - See your dealer or authorized Norcold Service Center.
"n"	The refrigerator cooling unit has stopped cooling.	<p>1st time - Before reset</p> <p>Check:</p> <ul style="list-style-type: none"> - That the vents are not blocked. - That a door(s) is not open. Close door(s). - That the vehicle is level. <p>2nd time - After reset.</p> <p>This is not owner serviceable. See your dealer or authorized Norcold Service Center.</p>
Temperature setting flashes for ten seconds and mode appears.	The refrigerator is operating on the "Back Up Operating System".	This is not owner serviceable. See your dealer or authorized Norcold Service Center.
"H"	This is a fault within the refrigerator controls.	This is not owner serviceable. See your dealer or authorized Norcold Service Center.
"I"	This is a fault within the refrigerator controls.	This is not owner serviceable. See your dealer or authorized Norcold Service Center.
"S"	This is a fault within the refrigerator controls.	This is not owner serviceable. See your dealer or authorized Norcold Service Center.



Manuel de l'Utilisateur/Propriétaire

Réfrigérateurs modèles N41X – 4,5 pi3, à double ou triple alimentation
Réfrigérateurs modèles N51X – 5,5 pi3, à double ou triple alimentation

Les numéros de modèle des réfrigérateurs à triple alimentation contiennent « .3 », mais pas ceux des modèles à double alimentation.

La lettre « X », dans les numéros de modèle ci-dessus, représente une lettre ou un chiffre correspondant à une option de réfrigérateur.



MISE EN GARDE : Une faute d'installation, de réglage, de modification, de réparation ou d'entretien peut causer des préjudices corporels ou matériels. Se reporter à ce manuel. Pour obtenir de l'assistance ou des informations supplémentaires, s'adresser à un installateur qualifié, au service après-vente ou à la compagnie de gaz.

SÉCURITÉ PERSONNELLE

Ne pas conserver ni utiliser d'essence ou d'autres liquides inflammables, ou dont les vapeurs peuvent s'enflammer, à proximité de cet appareil ou de tout autre appareil électroménager.

SÉCURITÉ PERSONNELLE

Si cela sent le gaz :

1. Ouvrir les fenêtres.
2. Ne pas toucher à des boutons électriques.
3. Éteindre toute flamme nue.
4. Appeler tout de suite la compagnie de gaz.

Français

NORCOLD, Inc.
P.O. Box 4248
Sidney, OH 45365-4248

Norcold Service à la clientèle
Téléphone : 800-543-1219
Télécopieur : 937-497-3183
Site Internet : www.norcold.com

Manuel de l'Utilisateur

Pour s'informer des conditions de garantie, se reporter à la page de l'énoncé de garantie qui se trouve dans la documentation relative au produit.

Sens de la Prudence	2
Consignes de Sécurité	2
Votre Réfrigérateur	3
Capacité	3
Mise à niveau	3
Utilisation pendant le déplacement du véhicule	3
Compartiment réfrigérateur	3
Clayette basculante	3
Casiers de porte	3
Compartiment basse température	3
Verrouillage de la porte pendant le déplacement du véhicule et pour le stockage	3
Système de commande de température	4
Commandes du Réfrigérateur	4
Panneau de commande	4
Fonctionnement en mode automatique	4
Purge d'air des tuyaux d'arrivée de gaz propane	4
Réglage des commandes pour le fonctionnement en mode automatique	5
Réglage des commandes pour le fonctionnement en mode manuel	5
Détection du frigorigère	6
Système de secours	6
Précautions à Prendre en Fonctionnement sur C.C (modèles 3 alim. seulement)	6
Directives pour le Fonctionnement sur C.C (modèles 3 alim. seulement)	7
Effets de l'altitude sur le fonctionnement au gaz propane	7
Liste des Opérations d'Entretien Courant	7
Dégivrage	7
Nettoyage	8
Plateau de dégivrage	8
Étanchéité de la Porte	8
Liste des Opérations d'Entretien	8
Période d'arrêt prolongé du réfrigérateur	9
Entretien du Réfrigérateur	9
Aspect de la flamme	9
Nettoyage de l'orifice du brûleur	9
Enlèvement du Réfrigérateur	10
Remontage du Réfrigérateur	10
Pièces de Rechange	11
Schéma de Câblage et Schéma Electrique	11
Codes de Défaillance	12

Sens de la Prudence

Lire attentivement ce manuel et bien comprendre les instructions avant d'installer le réfrigérateur.

Être conscient des risques possibles d'accident lorsque le symbole d'alerte apparaît sur le manuel ou est placé sur le réfrigérateur. Un mot suit le symbole et identifie le type de risque. Lire attentivement la définition de ces risques pour bien les comprendre. Ces symboles ont été placés pour des raisons de sécurité.



MISE EN GARDE : Ce terme de signallement indique un danger qui, s'il n'est pas pris en compte, peut causer une blessure grave, la mort ou d'importants dégâts matériels.



AVERTISSEMENT : Ce terme de signallement indique un danger qui, s'il n'est pas pris en compte, peut causer une blessure légère ou d'importants dégâts matériels.

Consignes de Sécurité



MISE EN GARDE :

- Le rangement de produits inflammables derrière le réfrigérateur ou autour de celui-ci pose un danger d'incendie. Ne pas utiliser l'espace derrière le réfrigérateur pour ranger quoi que ce soit, en particulier les matériaux inflammables (essence, produits de nettoyage, etc.)
- Ne pas retirer le contact de terre rond du cordon d'alimentation c.a. du réfrigérateur. Ne pas utiliser un adaptateur à deux lames ou une rallonge sur le cordon d'alimentation c.a.
- Si les fils et (ou) fusibles ne sont pas de la taille correcte, l'installation électrique peut prendre feu sous l'effet de la surcharge du circuit. Utiliser les fils et fusibles de la taille indiquée dans le « Manuel d'installation » ou consulter les codes locaux ou les normes applicables RVIA pour déterminer les tailles qui conviennent.
- Une faute d'installation, de réglage, de modification ou d'entretien de ce réfrigérateur peut causer des préjudices corporels et (ou) matériels. En confier la réparation et l'entretien au concessionnaire ou à un centre de service après-vente agréé Norcold.
- Débrancher les sources d'alimentation en c.a. et c.c. avant d'intervenir sur le réfrigérateur. Toute opération d'entretien ou de réparation sur ce réfrigérateur doit être effectuée par un technicien qualifié.
- Ne pas contourner ou modifier les composants ou fonctions électriques du réfrigérateur.
- Lors de la mise au rebut d'un appareil électroménager, enlever toutes les portes pour éviter que quelqu'un ne s'enferme dedans et ne suffoque.
- Ne pas vaporiser de liquides près des prises électriques, des raccords ou des pièces du réfrigérateur. Nombre de liquides sont conducteurs et peuvent poser des risques de décharge électrique, de court-circuit, voire même d'incendie.

- Le système frigorifique du réfrigérateur est sous pression. Ne pas essayer de réparer ou recharger un système frigorifique défectueux. Le système frigorifique contient du chromate de sodium. L'inhalation de certains composés du chrome peut causer le cancer. Le système frigorifique contient des produits chimiques qui peuvent causer de graves brûlures à la peau et aux yeux, s'enflammer et brûler avec une flamme intense. Ne pas recourber, faire tomber, souder, déplacer, percer, perforer ou heurter le système frigorifique.
- S'assurer régulièrement de l'absence totale de matériaux inflammables et d'obstruction aux conduits de fumée, brûleur, bouches de ventilation et passages d'air de ventilation du réfrigérateur. Après un certain temps d'entreposage, il est particulièrement important de vérifier ces endroits pour repérer tout matériau inflammable ou toute obstruction causée par des animaux.



AVERTISSEMENT :

- L'arrière du réfrigérateur présente des arêtes vives et des coins anguleux. Pour éviter de se couper ou de s'écorcher lors du travail sur le réfrigérateur, faire attention et porter des gants résistant aux coupures.

Votre Réfrigérateur

Capacité :

Ce réfrigérateur a été conçu pour conserver des denrées fraîches et des surgelés et pour fabriquer des cubes de glace.

	N41X	N51X
Capacité totale	4,50 pieds cubiques	5,50 pieds cubiques
Compartment congélation	0,81 pied cubique	0,81 pied cubique
Compartment réfrigération	3,69 pieds cubiques	4,69 pieds cubiques

Mise à niveau :



AVERTISSEMENT : Le réfrigérateur est conçu pour fonctionner avec une tolérance d'inclinaison de 3° dans l'axe latéral et de 6° dans l'axe longitudinal (vu de l'avant du réfrigérateur). S'il est plus incliné que cela durant son fonctionnement, cela pose des risques de préjudices corporels ou matériels, notamment au système frigorifique. S'assurer que le véhicule est de niveau avant de mettre le réfrigérateur en route.

Utilisation pendant le déplacement du véhicule :

Le réfrigérateur doit être de niveau lorsque le véhicule est à l'arrêt, mais la performance du réfrigérateur n'est normalement pas affectée lorsque le véhicule se déplace.

Compartment réfrigérateur :

Allumez ou faites démarrer le réfrigérateur et laissez-le refroidir pendant huit heures avant d'y mettre des aliments. Si le réfrigérateur ne commence pas à refroidir au bout de deux heures, adressez-vous à votre marchand ou à un centre de service après-vente Norcold autorisé.

Pour obtenir le meilleur refroidissement possible :

- Assurer une bonne circulation de l'air dans tout le compartiment de conservation.
- Ne pas recouvrir les clayettes de plastique, papier, etc.

Pour diminuer la quantité de givre qui se forme sur les ailettes de refroidissement :

- Recouvrir tous les récipients contenant des liquides et des denrées humides.
- Laisser refroidir les aliments chauds avant de les mettre au réfrigérateur.
- Ne pas laisser la porte ouverte plus longtemps que nécessaire.

Clayette basculante :

La clayette basculante permet de ranger les grandes bouteilles. Soulever la clayette par le milieu et la basculer contre le paroi du réfrigérateur.

Casiers de porte :

Les casiers de porte [52] du compartiment de conservation des denrées fraîches peuvent être déplacés pour satisfaire les besoins de chaque utilisateur (se reporter à Art01114). Pour enlever un casier, le soulever au-dessus du repère de positionnement et le tirer vers l'avant. Le pousser en place dans les nouveaux repères de positionnement.

REMARQUE : Les casiers de porte ne sont pas lavables au lave-vaisselle.

Compartment basse température :

Le compartment basse température sert à la conservation des surgelés, mais pas à congeler les aliments. Conserver les surgelés dans ce compartiment.

REMARQUE : Ne pas mettre d'autres articles sur le bac à glace pendant la formation des glaçons. L'eau gèle plus rapidement si le thermostat est à la position de température la plus froide.

Verrouillage de la porte pendant le déplacement du véhicule et pour le stockage :

Pendant le déplacement du véhicule, le dispositif de blocage d'ouverture de porte empêche l'ouverture de la porte. Il n'y a aucune chaîne, glissière ou autre mécanisme à engager.

Pendant le stockage, le dispositif de blocage d'ouverture de porte empêche la porte de se fermer complètement. Cela est très utile pour éviter les odeurs lorsque le réfrigérateur est arrêté pour une longue période.

Pour utiliser le dispositif de blocage pendant le stockage (se reporter à Art00979) :

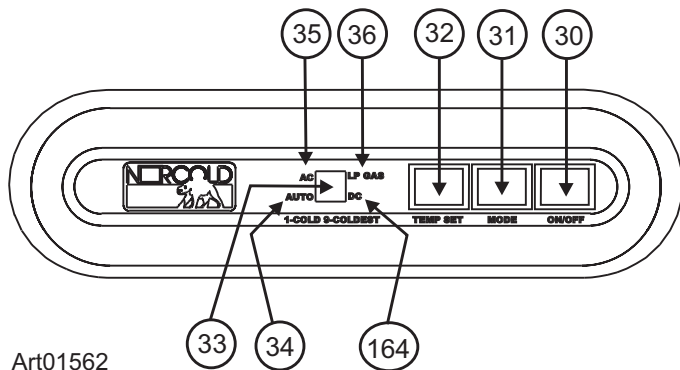
- Entre-ouvrir la porte pour que le verrou [161] se trouve entre les renforts [166] de la platine [162].

Système de commande de température :

Bien qu'il ne s'agisse pas d'un modèle sans givre, ce réfrigérateur est conçu pour limiter l'accumulation de givre sur les ailettes de refroidissement. À intervalles réguliers, le système de commande de température dégivre automatiquement les ailettes de refroidissement. L'eau qui en résulte tombe dans une cuve fixée au dos du réfrigérateur. L'eau de la cuve s'évapore ensuite sous l'effet de la chaleur du système frigorifique.

Commandes du Réfrigérateur

Panneau de commande :



Art01562

Art01562) se trouve au-dessus de la porte de l'appareil. Pour opérer, les fonctions de commande du réfrigérateur nécessitent une alimentation c.c. 12 volts. Le réfrigérateur reçoit l'alimentation c.c. du circuit 12 V du véhicule, qu'il s'agisse d'une batterie auxiliaire, d'un convertisseur ou de la batterie du moteur du véhicule.

Le bouton ON/OFF [30] met en route et arrête le réfrigérateur :

- Pour allumer le réfrigérateur, appuyer sur le bouton ON / OFF et le relâcher.
- Pour éteindre le réfrigérateur, appuyer sur le bouton ON / OFF pendant une seconde et le relâcher.

Le bouton TEMP SET [32] contrôle la température du compartiment de conservation et du compartiment basse température. La température choisie ne change pas lorsqu'on change l'alimentation du réfrigérateur.

- Appuyer sur le bouton TEMP SET et la plage de réglage de température «1.....9» apparaîtra sur l'afficheur central [33].
- Enfoncer et maintenir enfoncé le bouton TEMP SET pour sélectionner la température désirée.
 - Lorsque la température désirée est affichée, relâcher le bouton TEMP SET.

- La température réglée s'affiche pendant dix secondes puis fait place au mode de fonctionnement du réfrigérateur.
- Le nombre «9» correspond à la température la plus basse.

Le bouton MODE [31] contrôle le mode de fonctionnement du réfrigérateur.

- Enfoncer et maintenir enfoncé le bouton MODE et une barre lumineuse clignote sur l'afficheur central à côté des quatre modes de fonctionnement, une à la fois.

- Il y a trois modes de fonctionnement, un automatique et deux manuels.

REMARQUE : Sur modèles 3 alim. seulement, il y a trois modes manuels de fonctionnement.

- Lorsque la barre lumineuse apparaît en regard du mode de fonctionnement choisi, relâcher le bouton MODE pour faire fonctionner le réfrigérateur dans ce mode.

Mode de fonctionnement automatique :

En mode AUTO, le réfrigérateur utilise automatiquement la source d'énergie la plus efficace disponible. Si une source d'énergie plus efficace devient disponible en cours de fonctionnement, les commandes du réfrigérateur la sélectionnent automatiquement :

- Premier choix : fonctionnement sur c.a. si le réfrigérateur a accès à une alimentation c.a. 120 V.
- Deuxième choix : fonctionnement sur gaz propane si le réfrigérateur n'a pas accès à une alimentation c.a. 120 V.
- Troisième choix : fonctionnement sur c.c. (modèles 3 alim. seulement) si le réfrigérateur n'a accès ni à une alimentation c.a. 120 V ni au gaz propane.

Purge d'air des tuyaux d'arrivée de gaz propane :

Pour des raisons de sécurité, le brûleur est fait pour s'allumer au contact du gaz propane dans un délai donné. La première fois que le réfrigérateur est mis en marche, après son entreposage ou après le changement de la bouteille de gaz propane, il est possible qu'il reste de l'air dans les tuyaux d'arrivée de gaz propane. Dans ce cas, le brûleur risque d'avoir du mal à s'allumer au gaz propane dans le délai imparti.

Pour purger l'air des tuyaux d'arrivée de gaz propane :

- Vérifier que tous les robinets de gaz sont ouverts.
- Appuyer sur le bouton ON / OFF pour allumer le réfrigérateur.
- Appuyer sur le bouton MODE et le relâcher lorsque la barre lumineuse apparaît en regard de LP GAS [36].
 - Ceci signifie que le réfrigérateur fonctionne au gaz propane.
 - Si la présence d'air dans les tuyaux d'arrivée de gaz propane empêche le brûleur de s'allumer au gaz propane, le code d'anomalie « F » apparaît sur l'affichage central.

- Appuyer sur le bouton MODE pour que le réfrigérateur entame un essai d'allumage de 30 secondes.
- Enfoncer et maintenir enfoncé le bouton ON/OFF pendant une seconde.
- Enfoncer le bouton ON/OFF pour mettre le réfrigérateur en route.
 - Durant cet essai de 30 secondes, les commandes du réfrigérateur ouvrent la valve de sécurité et l'allumeur produit une étincelle.
 - Au bout de 30 secondes, les commandes du réfrigérateur ferment la valve de sécurité et l'allumeur ne fait plus d'étincelle.
- Lorsque la barre lumineuse apparaît en regard de LP GAS [6] et qu'il ne reste plus de code d'anomalie, cela signifie que le réfrigérateur fonctionne au gaz propane.
 - Tout l'air est désormais purgé des tuyaux d'arrivée de gaz propane et, si désiré, le mode de fonctionnement AUTO peut être sélectionné.
- Selon la quantité d'air restant dans les tuyaux d'arrivée de gaz propane, il peut s'avérer nécessaire de répéter à deux ou trois reprises l'essai d'allumage de 30 secondes.
- Si le brûleur ne s'allume pas au gaz propane au bout de deux ou trois tentatives, s'arrêter et contacter le concessionnaire ou un centre de service après-vente agréé Norcold.

Réglage des commandes pour le fonctionnement en mode automatique :

- Appuyer sur le bouton ON / OFF pour allumer le réfrigérateur.
- Appuyer sur le bouton MODE et le relâcher lorsque la barre lumineuse apparaît en regard de AUTO [34].
- Si le réfrigérateur a accès à une alimentation c.a. 120 V :
 - La barre lumineuse en regard de AC [35] apparaît également dans l'affichage central.
 - Après 10 secondes, la barre lumineuse à côté de AC s'éteint et celle à côté de AUTO reste allumée.
 - Cela signifie que le réfrigérateur fonctionne sur courant alternatif.
- Alimentation 120 V c.a. non disponible :
 - La barre lumineuse en regard de AC [4] apparaît également dans l'affichage central.
 - Au bout de quelques secondes, la barre lumineuse en regard de AC disparaît pour faire place à la barre lumineuse en regard de LP GAS [6].
 - Au bout de 10 secondes, la barre lumineuse en regard de LP GAS disparaît et seule demeure la barre lumineuse en regard de AUTO.
 - Cela signifie que le réfrigérateur fonctionne au propane.

- Sur modèles 2 alim. seulement, si le réfrigérateur n'a accès ni à une alimentation c.a. 120 V ni au gaz propane :
 - Les codes d'anomalie « F » puis « N » apparaissent dans l'affichage central.
- Sur modèles 3 alim. seulement, si le réfrigérateur n'a accès ni à une alimentation c.a. 120 V ni au gaz propane :
 - La commande du réfrigérateur passe automatiquement au fonctionnement électrique sur c.c.

REMARQUE : Le fonctionnement électrique sur c.c. est moins efficace que celui au c.a. et que le fonctionnement au gaz propane. Ne faire fonctionner sur courant continu que pour maintenir la température du réfrigérateur en cours de déplacement et en l'absence d'autres sources d'énergie. Ne pas recourir au mode c.c. pour commencer à faire descendre la température du réfrigérateur.

Une source d'énergie est disponible, mais n'est pas fiable.

- Un code d'anomalie apparaît dans l'affichage central.
- Les commandes du réfrigérateur tentent de sélectionner une source d'énergie moins efficace.
- Une source d'énergie moins efficace n'est pas disponible :
 - Un code d'anomalie apparaît dans l'affichage central.
 - Se reporter à la section qui traite des codes de défaillance dans ce manuel.

Réglage des commandes pour le fonctionnement en mode manuel :

- Appuyer sur le bouton ON / OFF pour allumer le réfrigérateur.
- Appuyer sur le bouton MODE et le relâcher lorsque la barre lumineuse apparaît en regard de AC [35].
 - Ceci signifie que le réfrigérateur fonctionne sur courant alternatif.
- Appuyer sur le bouton MODE et le relâcher lorsque la barre lumineuse apparaît en regard de LP GAS [36].
 - Ceci signifie que le réfrigérateur fonctionne au gaz propane.
- Appuyer sur le bouton MODE et le relâcher lorsque la barre lumineuse apparaît en regard de DC [164].
 - Ceci signifie que le réfrigérateur fonctionne sur courant continu.

Si la source d'énergie devient indisponible :

- Un code d'anomalie apparaît dans l'affichage central.
- Se reporter à la section qui traite des codes de défaillance dans ce manuel.

Détection du frigorigère :

Les commandes sont capables de détecter le fonctionnement du frigorigère. Si elles détectent un arrêt de refroidissement à son niveau :

- Les sources de chaleur du frigorigère sont éteintes et invalidées par les commandes.
- Un code d'anomalie "n" apparaît dans l'affichage central.

Les commandes peuvent être réinitialisées et ce code d'anomalie effacé une seule fois.

Pour réinitialiser les commandes, éteindre le réfrigérateur et le rallumer.

- Pour éteindre le réfrigérateur, appuyer sur le bouton ON / OFF pendant une seconde et le relâcher.
- Pour allumer le réfrigérateur, appuyer sur le bouton ON / OFF et le relâcher.

Une fois les commandes réinitialisées, si l'anomalie se reproduit avant la fin du cycle complet de refroidissement du réfrigérateur :

- Les sources de chaleur du frigorigère sont éteintes et invalidées.
- Un code d'anomalie "n" apparaît dans l'affichage central.
- Cette fois-ci le code d'anomalie ne peut pas être effacé. Dès que possible, faire réviser le réfrigérateur par le concessionnaire ou un centre de service après-vente agréé Norcold.

Système de secours :

Le réfrigérateur est équipé d'un système de secours qui permet d'assurer le refroidissement en cas de défaillance de la sonde de température de l'appareil.

En cas de défaillance de la sonde de température :

- Le réfrigérateur sélectionne automatiquement le système de secours.
 - Appuyer sur le bouton TEMP SET, la sélection de température clignote sur l'afficheur central pendant dix secondes.
 - Le mode de fonctionnement apparaît sur l'afficheur après le clignotement de la sélection de température.
- Le système de secours peut congeler ou dégeler les denrées se trouvant dans le compartiment de conservation des denrées fraîches et dans le compartiment basse température.
 - S'assurer que les températures dans les deux compartiments sont satisfaisantes.

REMARQUE : Si la ou les portes sont ouvertes trop souvent, les températures à l'intérieur du congélateur et du compartiment de denrées fraîches perdent leur stabilité. Après chaque nouveau réglage, laisser le réfrigérateur fonctionner pendant à peu près une heure avant d'en examiner le contenu. Le chiffre « 9 » correspond à la température la plus froide.

- Si la température est trop élevée, enfoncer et maintenir enfoncé le bouton TEMP SET pour faire passer la sélection de température au chiffre supérieur.
- Si la température est trop basse, enfoncer et maintenir enfoncé le bouton TEMP SET pour faire passer la sélection de température au chiffre inférieur.
- Faire examiner le réfrigérateur par le concessionnaire ou par un Centre d'entretien autorisé Norcold dès que possible.

Précautions à Prendre en Fonctionnement sur c.c. (modèles 3 alim. seulement)

Le réfrigérateur a été conçu pour fonctionner sur courant continu pendant que le véhicule est «en route» et que l'alimentation en courant alternatif ou l'alimentation en gaz propane ne sont pas disponibles. Faire fonctionner le réfrigérateur sur courant continu uniquement lorsque le moteur du véhicule tourne.

La batterie doit être à pleine charge pour que l'appareil puisse fonctionner de façon satisfaisante sur courant continu.

Pour que la batterie demeure pleinement chargée durant le fonctionnement du réfrigérateur sur courant continu, le moteur du véhicule doit être en marche et le système de charge de la batterie doit être en bon état de fonctionnement.

Conservé à l'esprit les recommandations suivantes :

- La batterie doit être en bon état pour que le réfrigérateur puisse fonctionner correctement sur courant continu.
- La capacité du système de charge de la batterie doit être supérieure aux besoins du réfrigérateur et des autres appareils fonctionnant sur courant continu.
- Lorsque le moteur du véhicule tourne, s'assurer que la tension des câbles d'alimentation c.c. du réfrigérateur est supérieure à 11,5 V c.c.

Directives pour le Fonctionnement sur c.c. (modèles 3 alim. seulement)

Le fonctionnement sur courant continu permet uniquement de maintenir la température du réfrigérateur et de son contenu lorsqu'ils sont déjà froids.

Le fonctionnement sur courant continu n'est pas prévu pour la mise en route initiale et la période de refroidissement. Toujours utiliser du courant alternatif ou du gaz propane pour la mise en route initiale et la période de refroidissement. Le réfrigérateur doit être froid et la température stable avant de faire fonctionner le réfrigérateur sur courant continu.

Conserver à l'esprit les directives suivantes :

- Faire fonctionner le réfrigérateur sur courant continu uniquement lorsque le véhicule est «en route».
- Ne pas faire fonctionner le réfrigérateur sur courant continu avant que le réfrigérateur et son contenu ne soient complètement froids.
- Ne faire marcher sur c.c. que si la batterie du véhicule et son système de charge sont en bon état de fonctionnement.

Effets de l'altitude sur le fonctionnement au gaz propane

Lorsque le réfrigérateur est utilisé en fonctionnement au gaz propane à une altitude supérieure à 5500 pieds au-dessus du niveau de la mer :

- La capacité de refroidissement du réfrigérateur peut se trouver affectée.
- Le brûleur peut s'éteindre.

Pour éviter ces problèmes potentiels, Norcold recommande de faire fonctionner le réfrigérateur sur courant alternatif à des altitudes supérieures à 5500 pieds au-dessus du niveau de la mer.

Liste des Opérations d'Entretien Courant

Le réfrigérateur peut fonctionner pendant de nombreuses années sans aucun problème si les opérations simples suivantes sont effectuées tous les trois à six mois.

- Conserver le compartiment de conservation des denrées fraîches et le compartiment basse température en bon état de propreté. Se reporter à «Dégivrage».
- Dégivrer le réfrigérateur suivant besoin. Se reporter à «Nettoyage».
- S'assurer que l'étanchéité de la porte est satisfaisante. Se reporter à «Étanchéité de la porte».
- Surveiller les changements de qualité du refroidissement qui ne sont pas la conséquence des conditions météorologiques, du chargement ou du débit du gaz. Dans ce cas, entrer en rapport avec le concessionnaire ou avec un Centre d'entretien autorisé Norcold.
- S'assurer que le gaz utilisé est du propane et non du butane ou un mélange de butane.

Dégivrage

Les ailettes de refroidissement du réfrigérateur fonctionnent à des températures de gel et il est normal qu'au contact de l'humidité de l'air elles se couvrent de givre. L'humidité à l'intérieur du réfrigérateur augmente :

- proportionnellement à la température et à l'humidité extérieures.
- lorsque des aliments frais non recouverts ou des aliments encore chauds sont placés dedans.
- d'autant plus que la ou les portes sont laissées longtemps ouvertes.
- si le réfrigérateur présente des fuites d'air.

Bien qu'il ne s'agisse pas d'un modèle sans givre, ce réfrigérateur est conçu pour limiter l'accumulation de givre sur les ailettes de refroidissement. À intervalles réguliers, le système de commande de température dégivre automatiquement les ailettes de refroidissement. L'eau qui en résulte tombe dans une cuve fixée au dos du réfrigérateur. L'eau de la cuve s'évapore ensuite sous l'effet de la chaleur du système frigorifique.

Il est normal que du givre s'accumule à l'intérieur du congélateur. Un réfrigérateur trop givré risque de ne pas donner d'aussi bons résultats. Dégivrer le réfrigérateur et le congélateur aussi souvent que nécessaire :

- Sortir tous les aliments du réfrigérateur.
- Éteindre le réfrigérateur.

REMARQUE : Le dégivrage rend beaucoup d'eau dans le réfrigérateur.

- Retirer le tuyau de vidange de la cuvette d'égouttage, à l'arrière du réfrigérateur.
- Placer le tuyau de vidange dans un récipient d'au moins un demi-gallon pour récupérer l'eau.
- Placer des serviettes sèches (etc.) à l'intérieur du réfrigérateur et du congélateur pour absorber le givre fondu.



AVERTISSEMENT : Des températures élevées peuvent entraîner la distorsion ou la fonte des surfaces intérieures du réfrigérateur. Ne pas utiliser de récipients d'eau TRÈS CHAUDE, de sèche-cheveux ou d'autres dispositifs à haute température pour dégivrer le réfrigérateur. Ne pas employer d'objets durs ou tranchants pour enlever le givre. L'intérieur du réfrigérateur risquerait d'être endommagé.

- Pour obtenir un dégivrage plus rapide, placer des récipients d'eau CHAUDE dans le réfrigérateur et dans le congélateur.
- Enlever les serviettes humides (etc.) et sécher l'intérieur.
- Retirer le tuyau de vidange du grand récipient et le replacer dans la cuvette d'égouttage.
- Retirer le grand récipient de l'enceinte.
- Remettre le réfrigérateur en route.
- Laisser le réfrigérateur se refroidir.
- Remettre tous les aliments dans le réfrigérateur.

Nettoyage

Il est recommandé de nettoyer le réfrigérateur après le dégivrage.
Nettoyer l'intérieur du réfrigérateur aussi souvent que cela est nécessaire pour éviter les odeurs.

- Vider le réfrigérateur.

REMARQUE : Ne pas se servir de produits de nettoyage abrasifs, de produits chimiques ou de tampons à récuser car ils risquent d'endommager l'intérieur du réfrigérateur.

- Nettoyer l'intérieur avec une solution d'eau tiède et de détergent liquide pour vaisselle.
- Rincer avec une solution d'eau claire et de bicarbonate de soude.
- Sécher avec un chiffon propre.
- Remplir le réfrigérateur.

Plateau de dégivrage :

Pour retirer le plateau de dégivrage et pour le nettoyer, procéder comme suit :

- Localiser l'agrafe en plastique qui se trouve autour de la clayette métallique, devant le plateau de dégivrage.
- Retirer et conserver la vis qui retient l'agrafe en plastique à l'intérieur de la caisse du réfrigérateur.
- Tirer sur la clayette pour la sortir du réfrigérateur.
- S'assurer que le plateau de dégivrage ne contient plus d'eau.
- Retirer le bouchon du tuyau de vidange de l'intérieur du plateau de dégivrage, puis l'enlever du tuyau.
- Tirer sur le plateau de dégivrage pour le sortir des fentes de la caisse du réfrigérateur.
- Nettoyer le plateau de dégivrage.
- Placer le bouchon du tuyau de vidange dans le plateau de dégivrage, et remettre ce dernier en place en le poussant dans sa position d'origine.
- Pousser le tuyau de vidange en place dans son bouchon.
- Remettre la clayette métallique et l'agrafe en plastique en place dans leur position d'origine.
- Fixer l'agrafe en plastique à l'aide de la vis.

Étanchéité de la Porte

L'intérieur du réfrigérateur peut givrer lorsque l'étanchéité de la porte n'est pas satisfaisante. Vérifier l'étanchéité de la porte :

- Placer un morceau de papier de la taille et de l'épaisseur d'un billet de banque entre le réfrigérateur et la porte, puis fermer la porte (se reporter à Art00980).
- Tirer doucement le morceau de papier.
 - Il doit se produire une légère résistance entre l'armoire du réfrigérateur et la porte.
 - Répéter l'opération des quatre côtés de la porte.
 - Si le morceau de papier sort sans résistance, c'est que l'étanchéité n'est pas bonne.
 - S'assurer que les vis de fixation des charnières de porte sont serrées.
 - S'assurer que le joint de porte n'est pas en contact avec le verrou de porte.
 - Si le joint de porte touche le verrou de porte, desserrer les vis du verrou.
 - Relever le verrou afin qu'il ne touche plus, puis resserrer les vis du verrou de porte.
 - S'assurer que le verrou maintient la porte fermée.

Liste des Opérations d'Entretien

Il est important de lire attentivement et de bien comprendre cette partie du manuel qui traite de l'entretien.

REMARQUE : Norcold décline toute responsabilité en cas d'installation, de réglage, de modification, de réparation ou d'entretien effectué(e) par quiconque autre qu'un concessionnaire de véhicules de loisir qualifié ou un centre de service après-vente agréé Norcold.

Les vérifications de bon état et de sécurité suivantes doivent être effectuées par un concessionnaire véhicules de plaisance qualifié ou par un Centre d'entretien autorisé Norcold :

- Examiner l'état des conduites d'alimentation en gaz et rechercher les fuites.
 - Remplacer ou réparer, selon le besoin.
- S'assurer que la pression du gaz propane est à 11 inches de colonne d'eau.
 - Régler si nécessaire.
- S'assurer que le joint de compression est complet et intact.
 - Remplacer ou réparer, selon le besoin.

- S'assurer que le brûleur et l'orifice du brûleur sont propres (se reporter à Art00956).
 - Nettoyer si nécessaire.
- S'assurer que l'écartement des électrodes [167] est compris entre 1/8 et 3/16 pouce (se reporter à Art00955).
 - Régler si nécessaire.
- S'assurer que la tension c.a. est de 108 à 132 volts et la tension c.c. de 10,5 à 15,4 volts.
- S'assurer que l'extrémité du thermocouple est propre et sécuritaire.
- S'assurer que l'espace à l'arrière du réfrigérateur ne sert pas à entreposer des matériaux combustibles, de l'essence ou d'autres liquides ou vapeurs inflammables.

Période d'arrêt prolongé du réfrigérateur

Avant d'entreposer le réfrigérateur pour une période d'arrêt prolongé (hors saison d'utilisation) :

- Dégivrer et nettoyer l'intérieur du réfrigérateur.
- Fermer les portes avec le verrou de stockage.

Avant de remettre en marche un réfrigérateur qui a été entreposé pendant un certain temps :

- S'assurer de l'absence d'obstructions aux bouches de ventilation, passages d'air de ventilation, brûleur, buse ou conduit de fumée.

Entretien du Réfrigérateur

Aspect de la flamme :

Le réfrigérateur étant en fonctionnement au gaz propane, examiner l'aspect de la flamme :

- Appuyer sur le bouton de réglage de la température et le relâcher lorsque « 9 » apparaisse.
- Ouvrir la prise d'air inférieure.



AVERTISSEMENT : Le couvercle du compartiment du brûleur peut être brûlant. Porter des gants pour éviter les brûlures.

- Ouvrir la porte du logement du brûleur [165] et examiner la flamme [75] (se reporter à Art00955 et Art00975).
 - La flamme doit être :
 - d'un bleu plus foncé à l'intérieur qu'à l'extérieur.
 - de forme constante et sans vacillation.
 - S'enquérir auprès du concessionnaire ou du centre de service après-vente agréé Norcold si la flamme :
 - est jaune
 - vacille ou change de forme.
 - S'assurer que la flamme ne touche pas l'intérieur du conduit de fumée [75].
 - Si la flamme touche l'intérieur du conduit de fumée, entrer en rapport avec le concessionnaire ou un Centre d'entretien autorisé Norcold.
- Fermer la porte du logement du brûleur.

Dépose et nettoyage de l'orifice du brûleur :

REMARQUE : Cette opération doit être effectuée par un concessionnaire ou un centre de service après-vente agréé Norcold.

- Fermer le robinet du réservoir de gaz.
- Fermer le robinet d'arrêt manuel du réfrigérateur.
- Arrêter le réfrigérateur.
- Ouvrir la prise d'air inférieure.



AVERTISSEMENT : Le couvercle du compartiment du brûleur peut être brûlant. Porter des gants pour éviter les brûlures.

- Enlever la vis de retenue du couvercle du logement du brûleur et déposer le couvercle.



MISE EN GARDE : Pour éviter les fuites de gaz propane, toujours se servir de deux clés pour desserrer et serrer le tuyau d'arrivée de gaz au niveau du robinet d'arrêt manuel du réfrigérateur.

- Enlever l'écrou évasé de l'orifice équipé [77] (se reporter à Art00956).
- Déposer l'orifice équipé du brûleur [78].



MISE EN GARDE : Lors du nettoyage, ne pas essayer de démonter la buse [79] de son adaptateur [80]. La buse et son joint risqueraient d'être endommagés, ce qui pourrait causer une fuite de gaz propane. Le gaz propane qui s'échappe risque de s'enflammer ou d'exploser, d'où risque de blessures graves ou mortelles. Ne pas nettoyer la buse avec une épingle ou tout autre objet.

- Nettoyer l'orifice équipé avec de l'air comprimé ou de l'alcool uniquement.
- Remonter l'orifice équipé sur le brûleur en utilisant une clé.
 - Monter l'écrou évasé sur l'orifice équipé.
 - Serrer l'écrou à la main.
 - Maintenir fermement l'orifice et serrer l'écrou évasé d'un quart de tour avec une clé.
- Inspecter tous les raccords et rechercher les fuites.

Enlèvement du Réfrigérateur

REMARQUE : Cette opération doit être effectuée par un concessionnaire ou un centre de service après-vente agréé Norcold.



AVERTISSEMENT : L'arrière du réfrigérateur présente des arêtes vives et des coins anguleux. Pour éviter de se couper ou de s'écorcher lors du travail sur le réfrigérateur, faire attention et porter des gants résistant aux coupures.

1. Fermer le robinet du réservoir de gaz propane.



MISE EN GARDE : Pour éviter les fuites de gaz propane, toujours se servir de deux clés pour desserrer et serrer le tuyau d'arrivée de gaz au niveau du robinet d'arrêt manuel du réfrigérateur.

2. Ouvrir la prise d'air inférieure et débrancher la conduite d'alimentation en gaz du robinet d'arrêt manuel du réfrigérateur.
3. Débrancher le cordon d'alimentation C.A. de la prise.
4. Débrancher le câblage C.C. du réfrigérateur :
 - Débrancher les fils c.c. de la batterie ou du convertisseur du véhicule.

- Marquer les fils c.c. pour être sûr de les remettre au bon endroit.

- Enlever les fils C.C. du réfrigérateur.

5. Enlever les vis de fixation du réfrigérateur sur le sol.
6. Enlever la porte du réfrigérateur.
7. Enlever les vis de fixation du réfrigérateur à la paroi.
8. Sortir le réfrigérateur de l'ouverture.
9. Fixer la porte au réfrigérateur.

Remontage du Réfrigérateur

REMARQUE : Cette opération doit être effectuée par un concessionnaire ou un centre de service après-vente agréé Norcold.



MISE EN GARDE : S'assurer que le joint de combustion n'est pas rompu, qu'il entoure complètement les brides de montage du réfrigérateur et qu'il sépare ces brides de la paroi de l'enceinte. Si le joint de combustion est interrompu, des gaz d'échappement peuvent s'infiltrer dans l'habitacle du véhicule. L'inhalation de gaz d'échappement peut causer des vertiges, des nausées et, dans les cas extrêmes, la mort.

1. Pousser le réfrigérateur à fond dans le logement.
2. Enlever la porte du réfrigérateur.
3. Installer les vis par les rebords de montage dans la paroi.
4. Mettre la porte du réfrigérateur en place.



AVERTISSEMENT : L'arrière du réfrigérateur présente des arêtes vives et des coins anguleux. Pour éviter de se couper ou de s'écorcher lors du travail sur le réfrigérateur, faire attention et porter des gants résistant aux coupures.

5. Ouvrir la prise d'air inférieure et installer les vis par le réfrigérateur dans le sol.



MISE EN GARDE : Pour éviter les fuites de gaz propane, toujours se servir de deux clés pour desserrer et serrer le tuyau d'arrivée de gaz au niveau du robinet d'arrêt manuel du réfrigérateur.

6. Brancher la conduite d'alimentation en gaz au robinet d'arrêt manuel du réfrigérateur.
7. Ouvrir le robinet du réservoir de propane.



MISE EN GARDE : Ne pas laisser la solution de contrôle des fuites entrer en contact avec les composants électriques. Nombre de liquides sont conducteurs et peuvent poser des risques de décharge électrique, de court-circuit, voire même d'incendie.

8. Inspecter la conduite d'alimentation en gaz et rechercher les fuites.

9. Rebrancher les fils c.c. au réfrigérateur :

- Installer le fusible C.C. ou raccorder le câblage C.C. à la batterie ou au convertisseur.
- Brancher les fils C.C. du réfrigérateur.

10. Brancher le cordon d'alimentation C.A. dans la prise.

Pièces de Rechange

Les pièces de rechange peuvent être achetées chez le concessionnaire de véhicules de plaisance local ou dans un Centre d'entretien autorisé Norcold.

Schéma de Câblage et Schéma Electrique

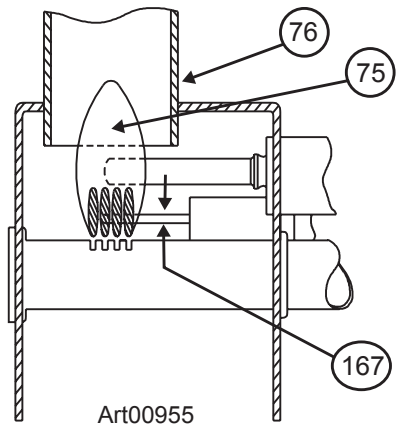
Désignation des repères du schéma électrique Art01775.

Désignation des repères du schéma de câblage Art01776.

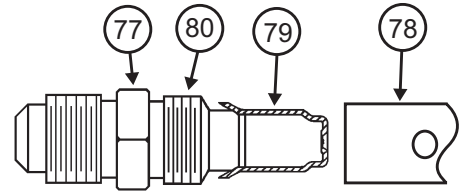
Dispositif de chauffage c.a.	A
Thermaître	B
Soupape de sûreté du gaz	C
Allumeur	D
Interrupteur de température (option)	E
Venilateur (option)	F
Système de chauffage c.c.	G
Masse du châssis	H
Panneau c.c.	I
Commuté 12 V c.c.	1
Continu fondu 12 V c.c.	2
Communications	3
D'affichage la terre	4
Auxiliaire la terre (option)	5
Auxiliaire + 12 V c.c. (option)	6
Robinet de gaz + 12 V c.c.	7
Fusible 5 A c.c.	F1
Fusible 8 A c.a.	F2
Fusible 30 A c.c.	F3

Codes de Défaillance

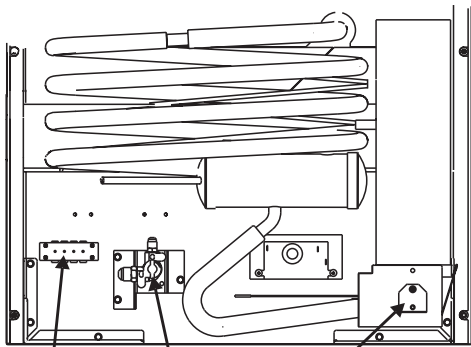
Codes de Défaillance	Signification	Actions Correctives
Afficheur vide.	Tension C.C. non disponible au panneau de commande du réfrigérateur ou réfrigérateur arrêté.	Verifier que: <ul style="list-style-type: none"> - le réfrigérateur est en marche. - le système de charge de la batterie du véhicule est opérationnel. - le convertisseur C.A./C.C. est opérationnel (s'il existe). - Entrer en rapport avec le concessionnaire ou un Centre d'entretien autorisé Norcold.
"F"	Le brûler n'est pas allumé ou rallumé.	Verifier que: <ul style="list-style-type: none"> - le robinete du reservoir de propane est ouvert. - le pression du gaz propane est correct. - le robinete d'arret manuel du réfrigérateur est ouvert. - la conduite d'alimentation en gaz est purgée. (Se reporter à "Purge de l'air dans les canalisations d'alimentation en gaz propane" de ce manuel.
"A"	La tension C. A. n'est pas disponible pour la commande du réfrigérateur.	Verifier que: <ul style="list-style-type: none"> - le réfrigérateur est branché. - le fusible C.A. du réfrigérateur est intact. - le génératrice du véhicule est opérationnelle (si elle existe). - Entrer en rapport avec le concessionnaire ou un Centre d'entretien autorisé Norcold.
"C"	La tension C.C. au panneau de commande du réfrigérateur est trop faible.	Verifier que: <ul style="list-style-type: none"> - le système de charge batterie du véhicule est opérationnel. - le convertisseur C.A./C.C. opérationnelle (si elle existe). - Entrer en rapport avec le concessionnaire ou un Centre d'entretien autorisé Norcold.
"n"	Le frigorigère du réfrigérateur ne refroidit plus.	1ère fois - Avant la réinitialisation. Verifier : <ul style="list-style-type: none"> - que les bouches de ventilation ne sont pas obstruées. - que la ou les portes ne sont pas ouvertes. Fermer la ou les portes. - que le véhicule est niveau. 2ème fois - Apres la réinitialisation. Le propriétaire ne peut pas remédier a ce problème. Entrer en rapport avec le concessionnaire ou un Centre d'entretien autorisé Norcold.
La selection de temperature clignote pendant dix secondes plus mode appears.	Le réfrigérateur fonctionne sur le « Systeme de Secours ».	Aucune action corrective par l'utilisateur/propriétaire. Entrer en rapport avec le concessionnaire ou un Centre d'entretien autorisé Norcold.
"H"	Défaillance du système de commande du réfrigérateur.	Aucune action corrective par l'utilisateur/propriétaire. Entrer en rapport avec le concessionnaire ou un Centre d'entretien autorisé Norcold.
"I"	Défaillance du système de commande du réfrigérateur.	Aucune action corrective par l'utilisateur/propriétaire. Entrer en rapport avec le concessionnaire ou un Centre d'entretien autorisé Norcold.
"S"	Défaillance du système de commande du réfrigérateur.	Aucune action corrective par l'utilisateur/propriétaire. Entrer en rapport avec le concessionnaire ou un Centre d'entretien autorisé Norcold.



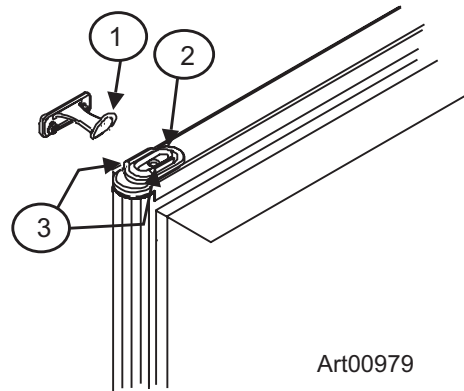
Art00955



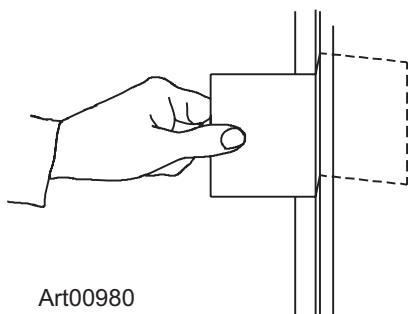
Art 00956



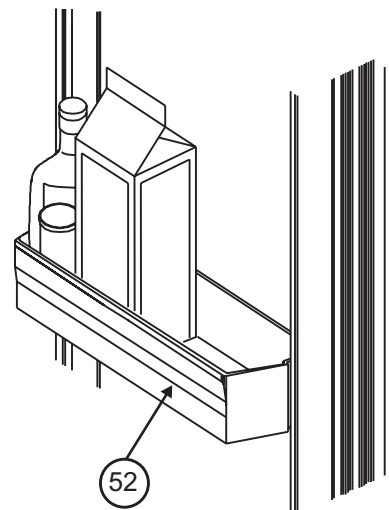
Art00975



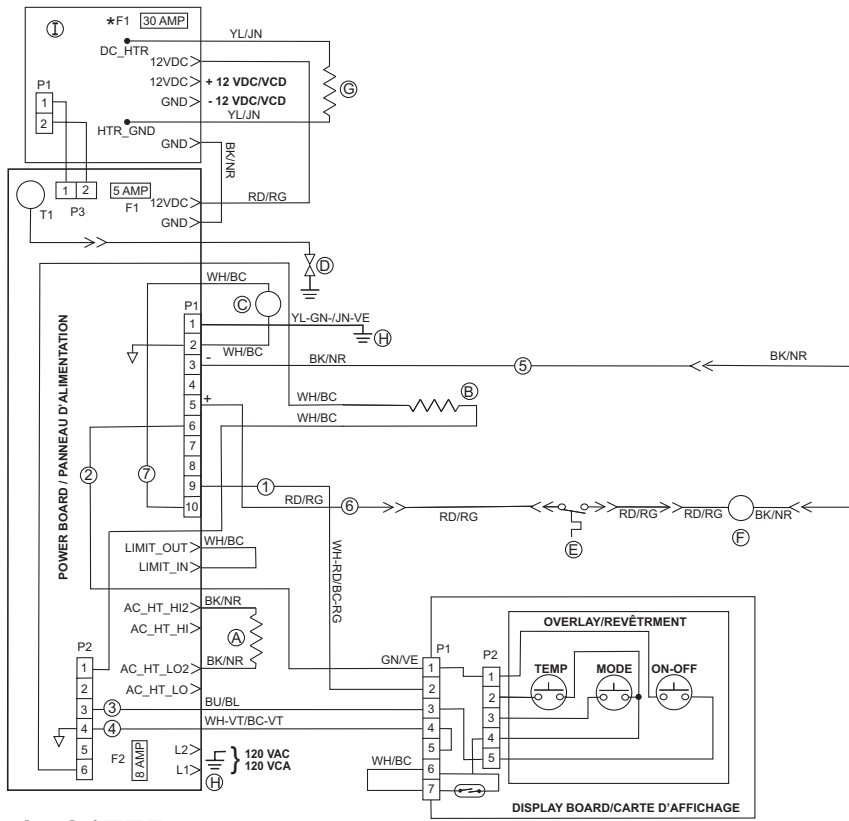
Art00979



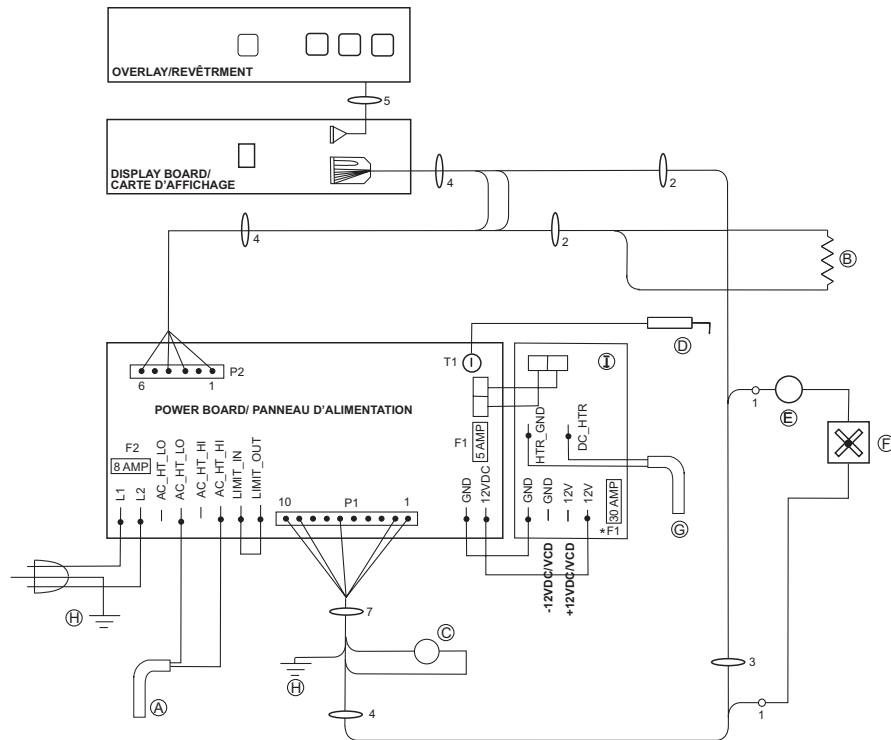
Art00980



Art01114



Art01775



Art01776