



Ultra-Fab Products, Inc.
57985 State Road 19, South
Elkhart, Indiana 46517

MX HAULER/CARRIER INSTRUCTIONS

MODEL: 48-979033



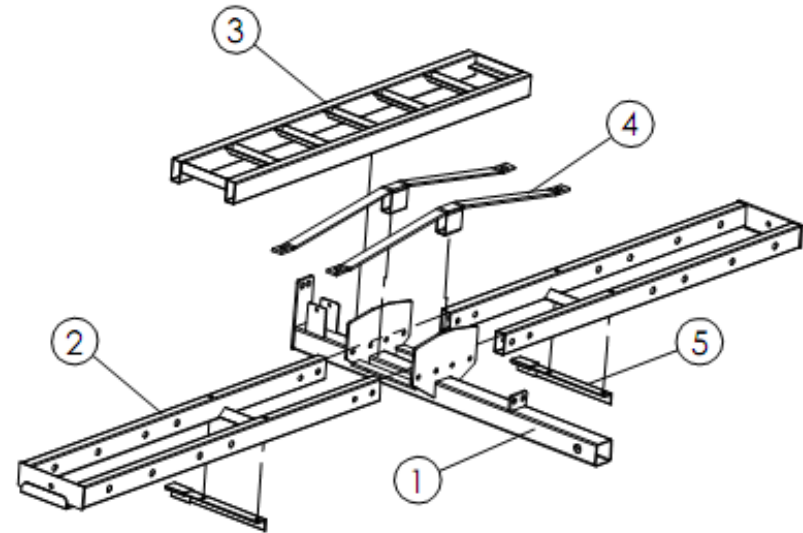
**THE ULTRA MX HAULER/CARRIER IS
INTENDED FOR MOTOCROSS DIRT BIKES
AND SCOOTER USE ONLY.**

- **NEVER** exceed 500lbs. capacity OR tow vehicle's receiver tongue weight rating whichever is less.
- The Bike Carrier is NOT intended for transporting people.
- Bike MUST be in gear while on Bike Carrier for transport.
- **DO NOT** sit on bike while on Bike Carrier.
- **DO NOT** start bike engine while on Bike Carrier.
- **DO NOT** attempt to drive bike onto Bike Carrier platform.
- Always use the ramp to load and unload bike.
- Always secure loading ramp to Bike Carrier while vehicle is in motion.
- Check all hardware connections (nuts & bolts) before each use.
- **Safety bolts and clevis pins MUST be secured through tire before transporting the bike.**
- **The bike MUST be secured with ratchet style straps while being transported (straps not included).**
- For added theft security, secure bike with a lock and chain.
- **DO NOT** carry flammable items on Bike Carrier.
- **DO NOT** allow exhaust fumes to blow directly on items. This is a FIRE HAZARD. See "IMPORTANT NOTICE".
- **ULTRA-FAB PRODUCTS, INC. IS NOT RESPONSIBLE FOR ANY DAMAGE IF WARNINGS ARE NOT HEDED.**

IMPORTANT NOTICE:

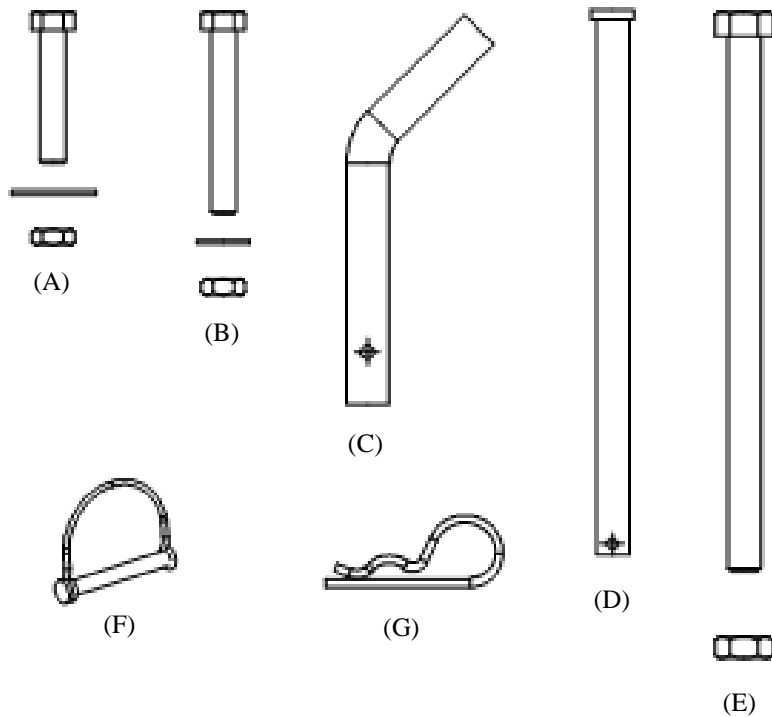
DO NOT block the exhaust pipe and keep exhaust fumes from blowing directly onto Bike Carrier.

PART LIST



ITEM NO.	QUANTITY	DESCRIPTION
1#	1 PCS	SUPPORT CHANNEL RECEIVER BAR
2#	2 PCS	TIRE CRADLES
3#	1 PCS	RAMP
4#	2 PCS	BRIDGE SUPPORTS
5#	2 PCS	RAMP SUPPORTS

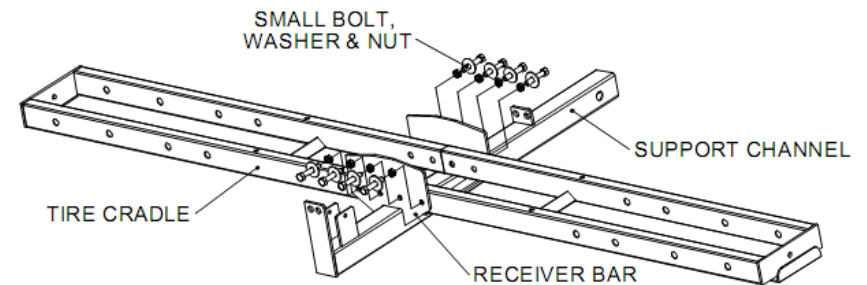
HARDWARE LIST



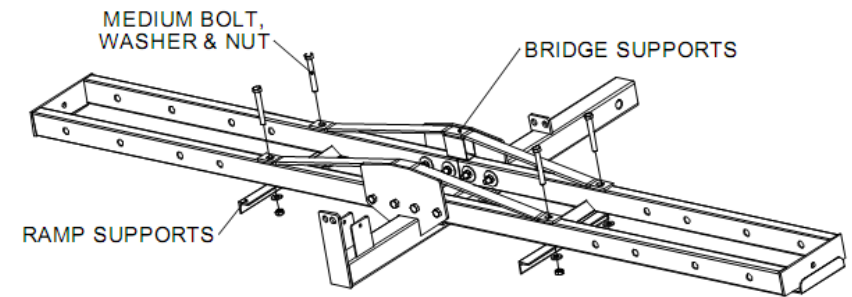
ITEM NO.	QUANTITY	DESCRIPTION
A	8 SET	SMALL BOLTS, LOCK NUTS & WASHERS
B	4 SET	MEDIUM BOLTS, LOCK NUTS & WASHERS
C	1 PCS	RECEIVER PIN
D	2 PCS	LARGE SAFETY PINS
E	4 SET	LARGE BOLTS, LOCK NUTS
F	1 SET	SPRING CLIP
G	3 PCS	CLEVIS PINS

ASSEMBLY INSTRUCTION

STEP 1. Place tire cradles inside support channel on the receiver bar. Attach with 8 small bolts, washers, and nuts. There are 4 nuts, bolts, and washers per cradle. NOTE: The washer is placed onto the inside hole first and then bolt is inserted from the inside out. The nut goes on the outside of the support channel.

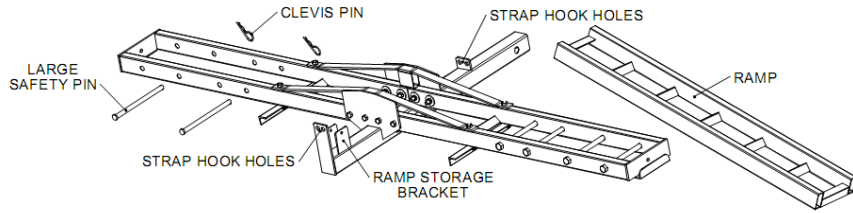


STEP 2. Attach 2 bridge supports and 2 ramp supports as shown using 4 medium bolts and nuts. NOTE: When mounting ramp supports, make sure flat surface is up and the extra 3 inches is on the outside to support the ramp while transporting.



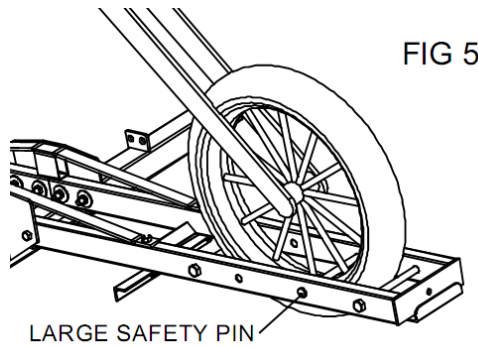
STEP 3. **PLACING THE LARGE BOLTS.** The carrier is designed to load the bike from the left or right side using the ramp. There are 3 sets of center boles and 1 set of upper holes on each cradle. The large safety pins and clevis pins are used in the upper holes. See FIG 5. The 4 large bolts are used in the center hole to support the bike tires. Note: Depending on

the size of your bike, some bolts may not be needed.



IMPORTANT STEP

The front tire of the bike must rest down into the cradle and be secured with a large safety pin and clevis pin. This step is needed in case a strap is broken or comes loose during transport. A second safety pin is supplied. Depending on the size of your bike, this pin may not be needed. If this pin is not used, secure the bike tire with a strap. (not included)



MOUNTING AND LOADING BIKES

Insert 2" receiver bar tube into the 2" receiver hitch and secure with a receiver and clevis pin. This carrier will only mount into a 2" receiver.

STEP 1

The loading ramp can be used on either side of the carrier. Make sure lip of ramp is securely hooked into the ramp mount.

STEP 2

With feet firmly planted and bike in neutral, slowly guide bike up loading ramp onto carrier. Use two people if necessary.

STEP 3

Secure bike with 2 ratchet style straps (not included). Put one of the safety pins into upper hole passing through the spokes of the front wheel. Secure with a clevis pin. See FIG 5

STEP 4

Place the ramp onto the receiver tube as shown allowing the center support to slide into the bracket. Secure with spring clip.

**ULTRA-FAB PRODUCTS, INC.
ONE YEAR LIMITED WARRANTY**

THE MANUFACTURER NAMED BELOW MAKES THE FOLLOWING WARRANTY WITH RESPECT TO THE ULTRA MX HAULER/CARRIER

1. This Warranty is made only to the first Purchaser (hereinafter called the "Original Purchaser") who acquires this product for their own use.
2. This Warranty will be in effect for one (1) year from the date of purchase by the Original Purchaser. It is suggested that the Original Purchaser retain a copy of the dated bill of sale as proof of purchase.
3. This Warranty covers only specified parts which shall be free from defects in material and workmanship under normal use. This Warranty does not cover conditions unrelated to the material and workmanship of the product. Such unrelated conditions include, but are not limited to (a) faulty installation and any damage resulting from such; (b) failure to follow Manufacturer's instructions for use of this product, and (c) any accident to, or misuse of, any part of this product and any alteration by anyone other than the Manufacturer or its authorized representative.
4. In order to obtain the benefits of this Warranty, you should return the product which you find defective to the Manufacturer named below, along with the proof of purchase, during the period that this Warranty is in effect. All charges incurred in delivery of the product to the Manufacturer, and in picking it up after the Warranty service has been completed, must be paid by the Original Purchaser.
5. Any item returned in the manner described in paragraph 4 will be examined by the Manufacturer. If it is found that the returned item was defective in material or workmanship, the Manufacturer will repair or replace the product, at their option, without charge for material or labor.
6. Ultra-Fab will pay freight on replacement parts during the first 90 days of ownership by the Original Purchaser.
7. The Manufacturer does not authorize any person or company to create any Warranty obligation or liability on their behalf.
8. NEITHER PARTY SHALL BE LIABLE FOR SPECIAL, INDIRECT, INCIDENTAL OR CONSEQUENTIAL DAMAGES. THE REMEDIES OF THE PURCHASER, AS SET FORTH HEREIN, ARE EXCLUSIVE, AND THE LIABILITY OF ULTRA-FAB PRODUCTS, INC. SHALL NOT EXCEED THE PRICE OF THE EQUIPMENT OR PART ON WHICH SUCH LIABILITY IS BASED.
9. SOME STATES DO NOT ALLOW THE EXCLUSION OR LIMITATION OF INCIDENTAL OR CONSEQUENTIAL DAMAGES, SO THE ABOVE LIMITATION MAY NOT APPLY TO YOU.
10. THIS WARRANTY GIVES YOU SPECIFIC LEGAL RIGHTS, AND YOU MAY ALSO HAVE OTHER RIGHTS WHICH VARY FROM STATE TO STATE.

**ULTRA-FAB PRODUCTS, INC.
57985 STATE ROAD 19, SOUTH
ELKHART, IN 46517
800-860-7571**

Rev. 7/31/2013