




Installation Manual

For N41X models - 4.5 cu. ft., 2-way or 3-way, refrigerators.
For N51X models - 5.5 cu. ft., 2-way or 3-way, refrigerators.

The model numbers of 3-way refrigerators contain “.3”. The model numbers of 2-way refrigerators do not.

The letter “X”, in the model numbers above, stands for a letter or a numeral which means a refrigerator option.

 **WARNING:** Improper installation, adjustment, alteration, service or maintenance can cause personal injury or property damage. Refer to this manual. For assistance or additional information, contact a qualified installer, service agency, or the gas supplier.


FOR YOUR SAFETY

Do not store or use gasoline or other flammable vapors and liquid in the vicinity of this or any other appliance.

FOR YOUR SAFETY

If you smell gas:

1. Open windows.
2. Don't touch electrical switches.
3. Extinguish any open flame.
4. Immediately call your gas supplier.

 **WARNING:** DO NOT install this refrigerator in below deck marine applications. Do not install this refrigerator in fixed indoor cabin or other dwelling applications. This refrigerator must use only NORCOLD designed and approved outside air intake and exhaust ventilation for correct and safe operation. Any other ventilation could cause lethal combustion exhaust fumes and/or explosive propane gas fumes to be in the living area and/or to be below deck.

English

French

NORCOLD, Inc.
P.O. Box 4248
Sidney, OH 45365-4248

Norcold Customer Support Dept.
Telephone: 800-543-1219
Fax: 937-497-3183
Web Site: www.norcold.com

Table of Contents

Safety Awareness	2
Safety Instructions	2
Certification and Code Requirements	3
Ventilation Requirements	3
Assemble the Enclosure	4
Install the Lower and Upper Vents	4
Install the Refrigerator	5
Installation Options	6
Install the decorative door panel	6
Reverse the door swing	6
Change the travel latch position	6
Connect the Electrical Components	7
Connect the 120 volt AC supply	7
Connect the 12 volt DC supply	7
Connect the Propane Gas Components	8
Connect the propane gas supply system	8
Examine the gas supply system for leaks	8
Ignition Start Up	8
Ignition-propane gas operation	8
Fault Codes	10

Safety Awareness

Read this manual carefully and understand the contents before you install the refrigerator.

Be aware of possible safety hazards when you see the safety alert symbol on the refrigerator and in this manual. A signal word follows the safety alert symbol and identifies the danger of the hazard. Carefully read the descriptions of these signal words to fully know their meanings. They are for your safety.



WARNING: This signal word means a hazard, which if ignored, can cause dangerous personal injury, death, or much property damage.



CAUTION: This signal word means a hazard, which if ignored, can cause small personal injury or much property damage.

Safety Instructions



WARNING:

- This refrigerator is not approved for use as a free standing refrigerator. It is equipped for the use of propane gas only and can not be changed to use any other fuels (natural gas, butane, etc.).
- Incorrect installation, adjustment, alteration, or maintenance of this refrigerator can cause personal injury, property damage, or both.
- Obey the instructions in this manual to install the intake and exhaust vents.
- Do not install the refrigerator directly on carpet. Put the refrigerator on a metal or wood panel that extends the full width and depth of the refrigerator.
- Do not allow anything to touch the refrigerator cooling system.
- Propane gas can ignite and cause an explosion that can result in property damage, personal injury, or death. Do not smoke or create sparks. Do not use an open flame to examine the propane gas supply line for leaks. Always use two wrenches to tighten or loosen the propane gas supply line connections.
- Make sure the electrical installation obeys all applicable codes. See "Certification and Code Requirements" section.
- Do not bypass or change the refrigerator's electrical components or features.
- Do not spray liquids near electrical outlets, connections, or the refrigerator components. Many liquids are electrically conductive and can cause a shock hazard, electrical shorts, and in some cases fire.
- The refrigerator cooling system is under pressure. Do not try to repair or to recharge a defective cooling system.
- The cooling system contains sodium chromate. The breathing of certain chromium compounds can cause cancer. The cooling system contents can cause severe skin and eye burns, and can ignite and burn with an intense flame. Do not bend, drop, weld, move, drill, puncture, or hit the cooling system.



CAUTION:

- The rear of the refrigerator has sharp edges and corners. To prevent cuts or abrasions when working on the refrigerator, use caution and wear cut resistant gloves.

Certification and Code Requirements



Art01290



This refrigerator is certified by CSA International as meeting the latest edition of ANSI Z21.19 / CAN 1.4 standards for installation in mobile homes or recreational vehicles.

The refrigerator must be installed in accordance with this "Installation Manual" in order for the Norcold limited warranty to be in effect. In addition, the installation must conform to the following, as applicable:

In the United States and Canada:

- Local codes, or in the absence of local codes, the National Fuel Gas Code, ANSI Z223.1/NFPA 54, the Natural Gas and Propane installation Code, CSA B149.1, ANSI A119.2 Recreational Vehicles Code, and CSA Z240 RV Series, Recreational Vehicles.
- A manufactured home (mobile home) installation must conform with the Manufactured Home Construction and Safety Standard, Title 24 CFR, Part 3280 [formerly the Federal Standard for Mobile Home Construction and Safety, Title 24 (part 280), and the current CSA Z240.4, Gas-equipped Recreational Vehicles and Mobile Housing.
- If an external power source is utilized, the appliance, when installed, must be electrically grounded in accordance with local codes or, in the absence of local codes, the National Electrical code, and ANSI/NFPA 70, or the Canadian Electrical Code, CSA C22.2. Parts 1 and 2.

All propane gas supply piping and fittings must obey local, state, and national codes about type and size. These components must also obey the current NFPA 501C section 2-4, and in Canada with the current CAN 1-6.10 Standard.

Ventilation Requirements



WARNING: The completed installation must:

- Make sure there is sufficient intake of fresh air for combustion.
- Make sure the living space is completely isolated from the combustion system of the refrigerator.
- Make sure there is complete and unrestricted ventilation of the flue exhaust which, in gas mode, can produce carbon monoxide. The breathing of carbon monoxide fumes can cause dizziness, nausea, or in extreme cases, death.
- Make sure the refrigerator is completely isolated from its heat generating components through the correct use of baffles and panel construction.

Certified installation needs one lower intake vent and one upper exhaust vent. Install the upper exhaust vent either through the roof or through the side wall of the vehicle exactly as written in this manual. Any other installation method voids both the certification and the factory warranty of the refrigerator.

The bottom of the opening for the lower intake vent, which is also the service access door, must be even with or immediately below the floor level. This allows any leaking propane gas to escape to the outside and not to collect at floor level.

CSA International certification allows the refrigerator to have zero (0) inch minimum clearance at the sides, rear, top, and bottom. While there are no maximum clearances specified for certification, the following maximum clearances are necessary for correct refrigerator performance:

Bottom	0 inch min.	0 inch max.
Each Side	0 inch min	1/8 inch max.
Top	0 inch min.	1/4 inch max.
Rear	0 inch min.	1 inch max.

These clearances plus the lower and upper vents cause the natural air draft that is necessary for good refrigeration. Cooler air comes in through the lower intake vent, goes up around the refrigerator coils where it removes the excess heat from the refrigerator components, and goes out through the upper exhaust vent. If this air flow is blocked or decreased, the refrigerator will not cool correctly.

Each NORCOLD model is certified by CSA International for correct ventilation. Install only the certified vents that are listed in this manual.

Assemble the Enclosure

- Make sure the enclosure is:
 - 36.56 - 36.69 inches high x 23.69 - 23.82 inches wide x 24 inches deep for N41X models.
 - 42.63 - 42.69 inches high x 23.69 - 23.82 inches wide x 24 inches deep for N51X models.
- Make sure the floor is solid and level.
 - The floor must be metal or a wood panel and extend the full width and depth of the enclosure.
 - The floor must be able to support the weight of the refrigerator and its contents.
- Make sure there are no adjacent heat sources such as a furnace vent, a hot water heater vent, etc.
- If there is more than 1/2 inch between either side of the refrigerator and the inside of the enclosure:
 - Fill the space with fiberglass (batt-type) insulation or add a baffle to eliminate the clearance.
 - The rear of the batt-type insulation must be between 18 -19 inches from the face of the enclosure.
 - Securely attach the batt-type insulation to the enclosure, so that it remains in this position during refrigerator installation, if it becomes wet, and in windy conditions.

Install the Lower and Upper Vents

- Using the following chart, decide which vents and rough opening (RO) sizes to use.

Certified Vent	P/N	RO Height	RO Width
Upper Roof Exhaust Vent	622293	24 in.	5 1/4 in.
Upper Side Exhaust Vent	617485	7 1/4 in.	18 in.
Lower Side Intake Vent	617484	9 3/4 in.	19 3/8 in.
Universal Upper & Lower Vent	620505	6 3/16 in.	17 13/16 in.
Universal Upper & Lower Vent	621156	13 3/4 in.	21 1/2 in.

- Install the lower intake vent (See Art01608):

NOTE: The lower intake vent is also the service access opening for the components on the rear of the refrigerator.



WARNING: Make sure the bottom of the opening of the lower intake vent is even with or immediately below the floor level. This allows any leaking propane gas to escape to the outside and not to collect at floor level.

- Make sure the bottom of the opening of lower intake vent is even with or immediately below the floor level.
- Align the lower intake vent [9] vertically below the coils [10] and the condenser [11] of the refrigerator.

- Install the upper exhaust vent:

- If you install the roof exhaust vent (see Art01638):



CAUTION: Make sure that no sawdust, insulation, or other construction debris is on the refrigerator or in the enclosure. Debris can cause a combustion hazard and prevent the refrigerator from operating correctly.

NOTE: Tighten the screws of the upper roof exhaust cap to 10 inch-pounds max. Also make sure that the air flow around the upper roof exhaust cap is not blocked or decreased by other roof mounted features such as a luggage carrier, an air conditioner, a solar panel, etc.

- If the design of the vehicle allows, install the roof exhaust vent [12] directly above the condenser [11] of the refrigerator.
 - Install a baffle [13] to prevent stagnant hot air in the area [14] above the refrigerator.
 - Make sure there is less than 1/4 inch clearance [15] between the baffle and the top of the refrigerator.
 - Make sure the baffle is the full width of the inside of the enclosure.
- If the design of the vehicle does not allow you to install the roof exhaust vent directly above the condenser of the refrigerator:
 - Align the roof exhaust vent [12] above the lower intake vent and move it inboard as necessary (See Art01639).
 - Install two baffles [13] to prevent stagnant hot air in the area [14] above the refrigerator.
 - Make sure both baffles are the full width of the inside of the enclosure.

- Make sure that both baffles are no more than 45° from vertical [20].
 - Put one baffle between the top rear edge of the refrigerator and the inside edge of the upper exhaust vent opening.
 - Make sure there is less than 1/4 inch clearance [15] between the baffle and the top of the refrigerator.
 - Put the other baffle between the outside edge of the upper exhaust vent opening and the side wall of the vehicle.
- If you install the upper side exhaust vent (See Art01637):
- For N41X models, make sure the distance [25] from the floor level to the top of the rough opening for the upper exhaust vent is at least 41 3/4 inches or poor cooling performance can occur.
 - For N51X models, make sure the distance [25] from the floor level to the top of the rough opening for the upper exhaust vent is at least 47 3/4 inches or poor cooling performance can occur.
 - Align the upper exhaust vent [24] horizontally above the lower intake vent [9] of the refrigerator.
 - Install a baffle [13] to prevent stagnant hot air in the area [14] above the refrigerator.
 - Make sure there is less than 1/4 inch clearance [15] between the baffle and the top of the refrigerator.
 - Make sure the baffle is the full width of the inside of the enclosure.
- If there is more than 1 inch of clearance between the rear of the refrigerator and the enclosure, add two baffles [16] to the rear of the enclosure (See Art01637, Art01638, and Art01639):
- Put one baffle at the top edge of the lower intake vent [9].
 - Put the other baffle at the lower edge of the condenser [11] of the refrigerator.
 - Make sure the baffles are less than 1/4 inch from the coils [10] and condenser of the refrigerator.
 - Make sure the baffles are the full width of the inside of the enclosure.
- For N41X models, if the construction of the vehicle does not allow the distance [25] to be 41 3/4 inches, the distance (optional only) can be as little as 36 inches (See Art01647) **if you obey the instructions that follow:**
- OR**
- For N51X models, if the construction of the vehicle does not allow the distance [25] to be 47 3/4 inches, the distance (optional only) can be as little as 44 3/4 inches (See Art01647) **if you obey the instructions that follow:**
 - Install only 621156 vent as the lower intake vent [9].
 - Add two baffles to the rear of the enclosure if there is more than 1 inch of clearance [19] between the rear of the refrigerator and the enclosure.
 - Install one baffle [16] at the top edge of the lower intake vent.
 - Install a bent aluminum or galvanized steel sheet baffle [26] at the lower edge of the upper exhaust vent opening.
 - Make sure that the bend of the baffle is flush with the lower edge of the upper exhaust vent opening.
 - Make sure that the top edge of the bent baffle is 1/4 inch or less [124] below the condenser and that there is 1/4 inch or less clearance [124] between the rear of the condenser and the baffle.
 - Make sure the baffles are the full width of the inside of the enclosure.

Install the Refrigerator

Put the refrigerator in position (see Art01288):



WARNING: Make sure the combustion seal [28] is not broken, is completely around the refrigerator mounting flanges [156], and is between the mounting flanges and the wall of the enclosure. If the combustion seal is not complete, exhaust fumes can be present in the living area of the vehicle. The breathing of exhaust fumes can cause dizziness, nausea, or in extreme cases, death.

- Remove the door from the refrigerator (See “Reverse the door swing” section).
- Put screws through the holes of the refrigerator mounting flanges and into the enclosure wall.
- Attach the door to the refrigerator.
- Put a screw through the mounting holes [121] in the braces at the lower rear corners of the refrigerator and into the floor.

Installation Options

Install the decorative door panel:

NOTE: The decorative panels must be 3/16 inch or less in thickness.

- For N41X models, make a decorative door panel [38] that is 31 inches high x 21 5/16 inches wide (See Art00977).
- For N51X models, make a decorative door panel [38] that is 37 inches high x 21 5/16 inches wide (See Art00977).
- Push the decorative door panel into the slots [157] of the door end caps [158].
- Push each panel retainer [37] into the slot on the edge of the door [39].

Reverse the door swing:

This refrigerator has hinges that allow you to change the direction that the door opens by moving the hinges to the opposite corner (See Art01313).

1. Remove the door:

- Turn out and save the upper hinge pin [63].
- Open the door a small amount and pull the top of the door away from the upper hinge of the refrigerator.
- Lift the door off of the lower hinge pin [64].
- Turn out and save the lower hinge pin.

2. Change the position of the hinges:

- Remove the screws from the upper hinge [159].
- Put this hinge on the other side as the lower hinge.
- Attach the hinge with the screws.
- Turn the lower hinge pin down into this hinge.
- Remove the screws from the lower hinge [160].
- Remove the screws from the travel latch [161].
- Put this hinge on the other side as the upper hinge.
- Attach the hinge with the screws.

3. Change the position of the travel latch (See Art01313 and Art01571):

- Put the travel latch on the other side of the refrigerator.

- Attach the travel latch with the screws.
- Remove the screw [41] from the travel latch plate [162] on the door.
- Remove the screw [41] from the filler plate [163] on the door.
- Put the travel latch plate on the other side of the door.
- Attach the travel latch plate with the screw.
- Put the filler plate on the other side of the door.
- Attach the filler plate with the screw.

4. Install the door:

- Put the door down onto the lower hinge pin.
- Align the holes in the upper hinge and the filler plate and hold in this position.
- Screw the upper hinge pin down into the upper hinge and into the door.
- Tighten all of the screws.
- Make sure the travel latch fully engages the travel latch plate.
 - The travel latch should engage the travel latch plate .2 inches.
 - If not, loosen the screws and adjust the height of the travel latch.
 - Tighten the screws.

Change the travel latch position:

This refrigerator allows you to put the travel latch either at the top of the door or at the bottom of the door regardless of the door swing direction (See Art01570 and Art01572).

1. Change the position of the travel latch plate:

- Remove the screw [41] from the travel latch plate [162] on the door.
- Remove the screw [41] from the filler plate [163] on the opposite end of the door.
- Put the travel latch plate on the opposite end of the door.
- Attach the travel latch plate with the screw.
- Put the filler plate on the opposite end of the door.
- Attach the filler plate with the screw.

2. Change the position of the travel latch:


- Remove the screws from the travel latch [161].
- Put the travel latch on the opposite end of the refrigerator.
- Attach the travel latch with the screws.

Connect the Electrical Components


NOTE: The current draws are nominal values.

AC Operation	120 volts AC voltage (108 volts min. - 132 volts max.) 12 volts DC control voltage (10.5 volts min. - 15.4 volts max.)
Current Draw	1.79 Amps at 110 volts AC 1.92 Amps at 120 volts AC
Propane Gas Operation	12 volts DC control voltage (11.5 volts min. - 15.4 volts max.)
Current Draw	.37 Amps at 12 volts DC .42 Amps at 15 volts DC
DC Operation (.3 models only)	12 volts DC control voltage (10.5 volts min. - 15.4 volts max.)
Current Draw	14.1 Amps at 12 volts DC 17.0 Amps at 15 volts DC

This refrigerator operates on both AC and DC electrical sources. Operation out of these limits may damage the refrigerator's electrical circuit parts and will void the warranty.

 **WARNING:** The rear of the refrigerator cooling system has hot surfaces and sharp surfaces that can damage electrical wiring. Make sure that there is a good clearance between all electrical wiring and the cooling system of the refrigerator. Position any electrical wiring within the refrigerator enclosure opposite the burner side of the refrigerator. Do not put any electrical wiring through the roof exhaust vent. Failure to correctly position electrical wiring can result in electrical shock or fire.

Connect the 120 volt AC supply:

 **WARNING:** Connect the AC power cord only to a grounded three-prong receptacle. Do not remove the round ground prong from the power cord. Do not use a two-prong adapter or an extension cord. Operation of the refrigerator without correct ground can cause dangerous electrical shock or death if you are touching the metal parts of the refrigerator.

Put the AC power cord into a grounded three-prong receptacle:

- Make sure the receptacle is positioned within easy reach of the lower intake vent.
- Make sure the power cord does not touch the burner cover, the flue pipe, or any hot component that could damage the insulation of the power cord.

Connect the 12 volts DC supply:

As the distance from the vehicle battery to the refrigerator increases, the correct AWG wire size and fuse size also increases. If the wire size is too small for the distance, a voltage drop occurs. The voltage drop decreases the output of the system heater and causes poor cooling performance.

1. Determine the min. wire size and the max. fuse size to use:



WARNING: If you use an incorrect wire size and/or fuse size, electrical fire can result.

- On 2-way models, use a minimum of 18 AWG wire and a maximum 6 Amp fuse.
- On 3-way models, measure the distance from the vehicle battery to the refrigerator.
 - If the distance is 0 - 20 feet, use a minimum of 10 AWG wire and a maximum 30 Amp fuse.
 - If the distance is over 20 feet, use a minimum of 8 AWG wire and a maximum 40 Amp fuse.
- If the wire size is larger than the min. size, use the correct fuse per RVIA A119.2 standard or local codes.

The wire connections must be clean, tight and free of corrosion. If any of these items are not correct:

- A voltage drop to the refrigerator will occur.
 - The voltage drop will reduce the cooling performance of the refrigerator.
2. Install a fuse in DC power supply wires between the battery and the refrigerator:
- Put fuse as close to the battery as possible.
3. Connect the DC power supply wires:
- Attach a 1/4 inch female Quick Connect terminal to each DC power supply wire.

NOTE: Do not use the chassis of the refrigerator or the vehicle frame as one of the conductors. Attach the DC power supply wires only to the battery and the power board [49] of the refrigerator (See Art00975).

- Push the positive DC power wire onto the power board terminal that is marked 12VDC.
- Push the DC ground wire onto the power board terminal that is marked GND.
- Make sure each DC power supply wire is on the correct polarity terminal.

- To prevent vibration and abrasion, make sure that the gas supply line is not against anything in the enclosure.
- Attach the gas supply line to the bulkhead fitting [91] of the refrigerator (See Art00975).

Connect the Propane Gas Components

This refrigerator operates on propane gas at a pressure of 11 inches Water Column Propane.

Connect the propane gas supply system:

WARNING: Be very careful when working on or near the propane gas system.

- Do not smoke or use an open flame near the propane gas system.
- Do not use an open flame to examine for leaks.
- Do not connect the refrigerator to the propane gas tank without a pressure regulator between them.
- To avoid a propane gas leak, always use two wrenches to tighten or loosen the gas supply line connections.
- Leaking propane gas can ignite or explode and result in dangerous personal injury or death.

Connect the gas supply line to the refrigerator:

- Make sure all tubing and fittings obey all local, state, and national codes about size and type.
- Make sure that all flexible metal connectors obey the current CAN1-6.10 Standard.
- Make sure that the materials used for the gas supply line obey both the current ANSI A 119.2 (NFPA 1192) and CSA Z240 Standards on Recreational Vehicles. Norcold recommends the use of 3/8 inch copper tubing as the gas supply line and requires a 3/8 inch SAE (UNF 5/8-18) male flare fitting as the connection to the refrigerator.
- Put the propane gas supply line up through the floor of the enclosure.
- Make sure the hole through the floor is large enough to allow clearance for the gas supply line.
- Put a weather resistant seal (grommet, sealant, etc.) around the gas supply line where it goes through the floor to prevent vibration and abrasion.

Examine the gas supply system for leaks:

WARNING: Do not allow the leak detecting solution to touch the electrical components. Many liquids are electrically conductive and can cause a shock hazard, electrical shorts, and in some cases, fire.

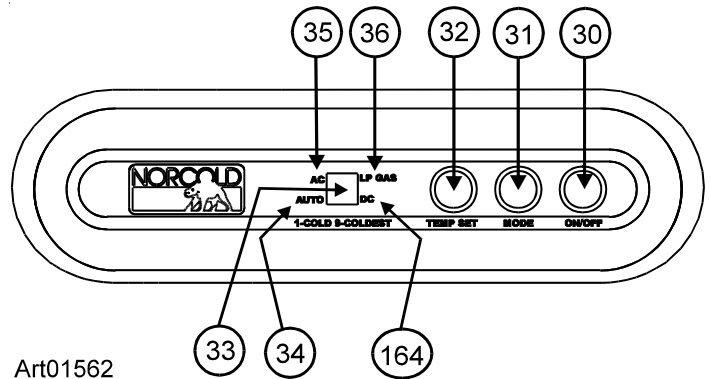
Use a leak detecting solution to examine the gas supply line and all propane gas connections for leaks.

If you use compressed air for the test:

- The pressure at the manual shut off valve of the refrigerator must not be more than 1/2 psig (14 inches Water Column).
- If the air pressure is more than 1/2 psig (14 inches Water Column), remove the gas supply line from the bulkhead fitting of the refrigerator before the test.
- If the air pressure is equal to or less than 1/2 psig (14 inches Water Column), close the manual shutoff valve of the refrigerator before the test.

Ignition Start Up

Ignition - propane gas operation:



Art01562

Press the ON / OFF button [30] to start the refrigerator in auto mode.

- Push and hold the MODE button [31] until the light bar flashes in the center display [33] beside LP GAS [36].
- Release the MODE button.

NOTE: On initial start up of the refrigerator, ignition of the propane gas may not occur within 30 seconds.

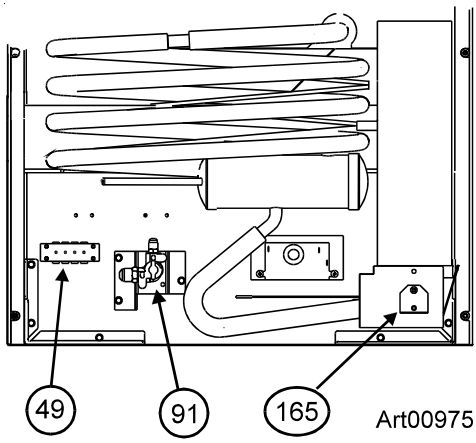
If ignition of the propane gas does not occur within 30 seconds:

- The gas safety valve of the refrigerator closes.
- The refrigerator stops operation.
- Refer to the "Fault Codes" section of this manual.
- The fault code remains until you push the ON / OFF button two times (to stop and start the refrigerator).
- If ignition does not occur after two or three times:
 - Check the gas supply line.
 - Consult your local dealer or an authorized Norcold Service Center.
 - Change to manual mode and operate on AC electric.

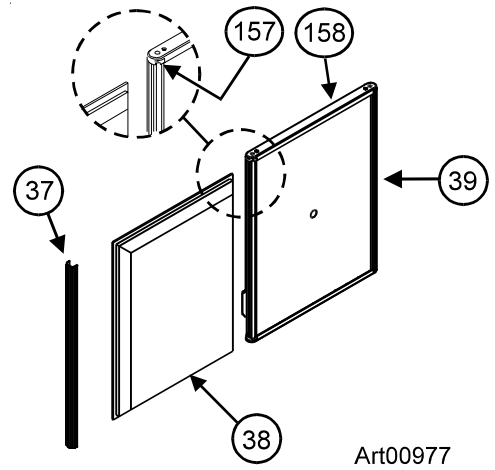
Fault Codes

Fault Codes	Fault Code Meaning	Corrective Actions
No display.	DC voltage is unavailable to the refrigerator control panel or the refrigerator is OFF.	Check: <ul style="list-style-type: none"> - That the refrigerator is ON. - That the battery charging equipment of the vehicle is operational. - That the AC/DC converter is operational (if applicable). - See your dealer or authorized Norcold Service Center.
"F"	The burner did not ignite or re-ignite.	Check: <ul style="list-style-type: none"> - That the valve of the propane gas tank(s) is open. - That the propane gas is at the correct pressure. - That the manual shut off valve of the refrigerator is open. - That there is no air in the propane gas supply line. See "Removing air from the propane gas supply lines" section of this manual. - See your dealer or authorized Norcold Service Center.
"A"	AC voltage is unavailable to the refrigerator control.	Check: <ul style="list-style-type: none"> - That the refrigerator plugged into a serviceable outlet. - That the fuse or circuit breaker of the vehicle is intact. - That the vehicle generator is operational (if applicable). - See your dealer or authorized Norcold Service Center.
"C"	DC voltage to the refrigerator control panel is too low.	Check: <ul style="list-style-type: none"> - That the battery charging equipment of the vehicle is operational. - That the AC/DC converter is operational (if applicable). - See your dealer or authorized Norcold Service Center.
"n"	The refrigerator cooling unit has stopped cooling.	1st time - Before reset Check: <ul style="list-style-type: none"> - That the vents are not blocked. - That a door(s) is not open. Close door(s). - That the vehicle is level. 2nd time - After reset This is not owner serviceable. See your dealer or authorized Norcold Service Center.
Temperature setting flashes for ten seconds and mode appears.	The refrigerator is operating on the "Back Up Operating System".	This is not owner serviceable. See your dealer or authorized Norcold Service Center
"H"	This is a fault within the refrigerator controls.	This is not owner serviceable. See your dealer or authorized Norcold Service Center
"r"	This is a fault within the refrigerator controls.	This is not owner serviceable. See your dealer or authorized Norcold Service Center
"S"	This is a fault within the refrigerator controls.	This is not owner serviceable. See your dealer or authorized Norcold Service Center

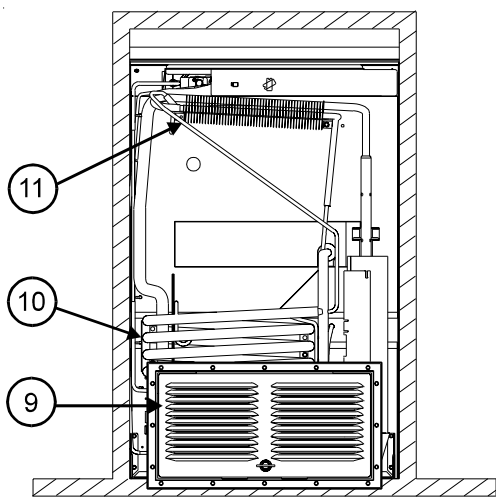
Art01560



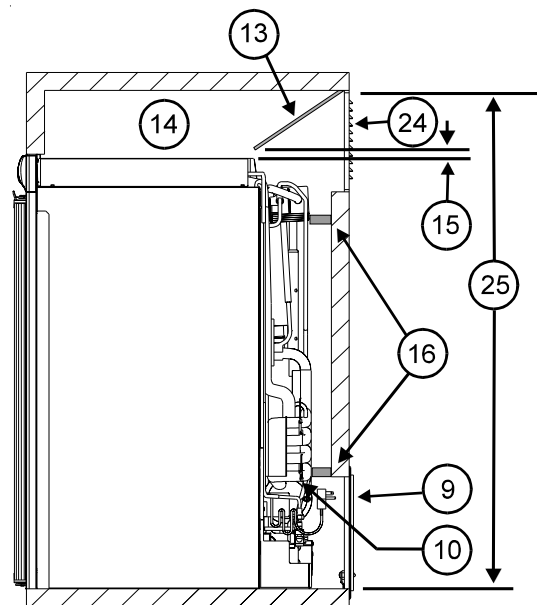
Art00975



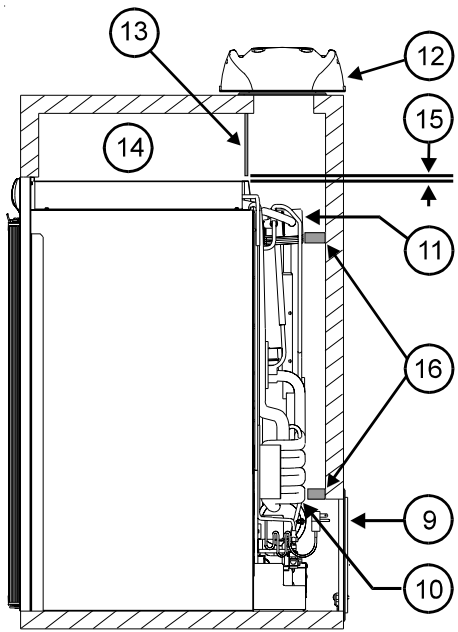
Art00977



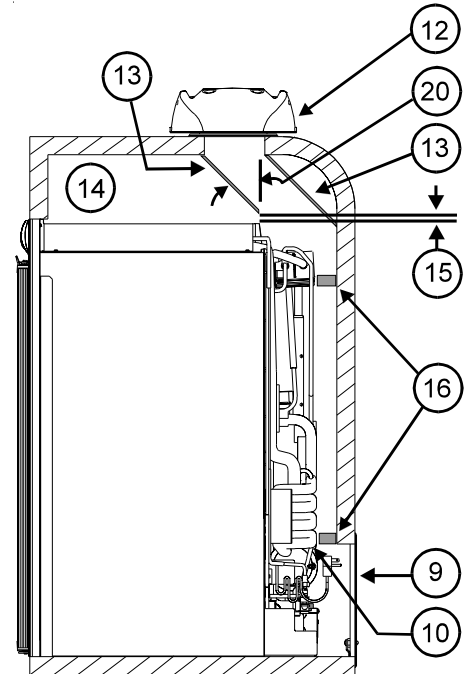
Art01608



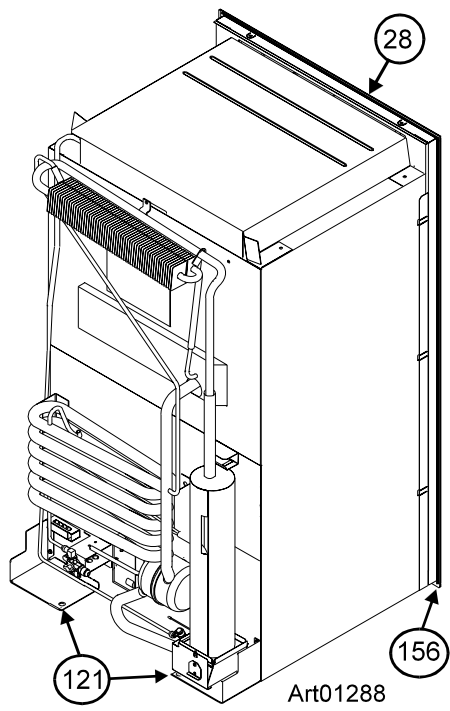
Art01637



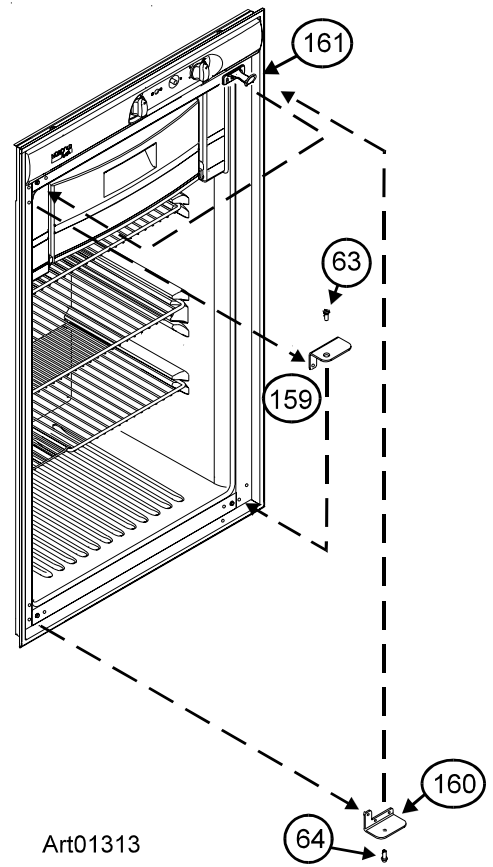
Art01638



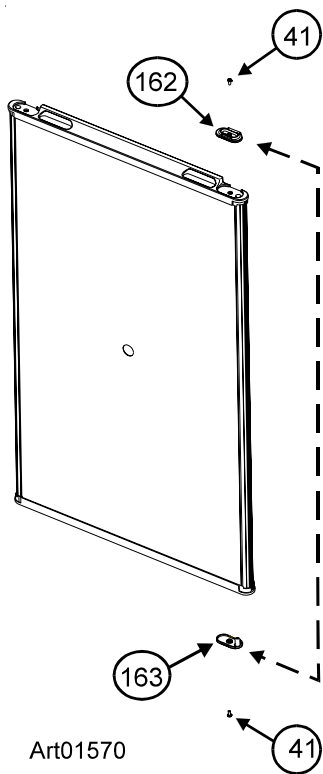
Art01639



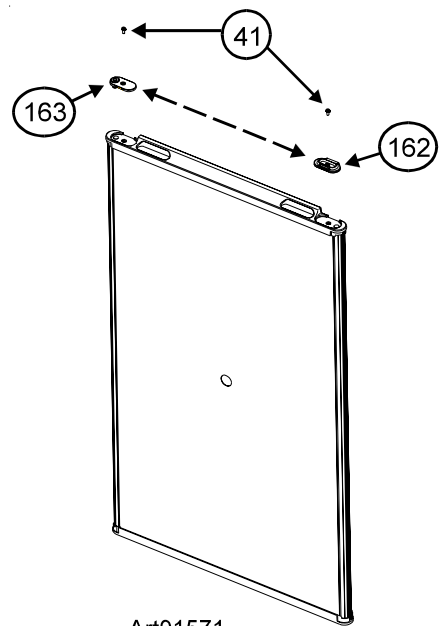
Art01288



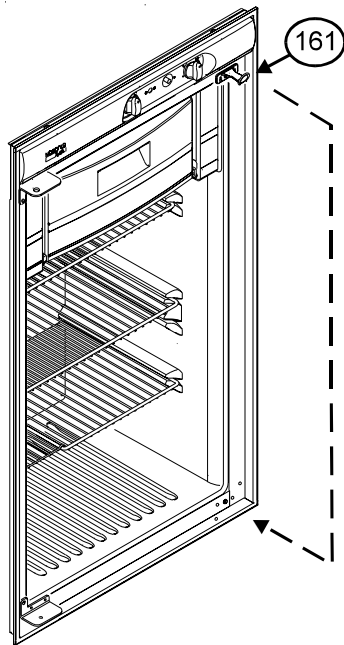
Art01313



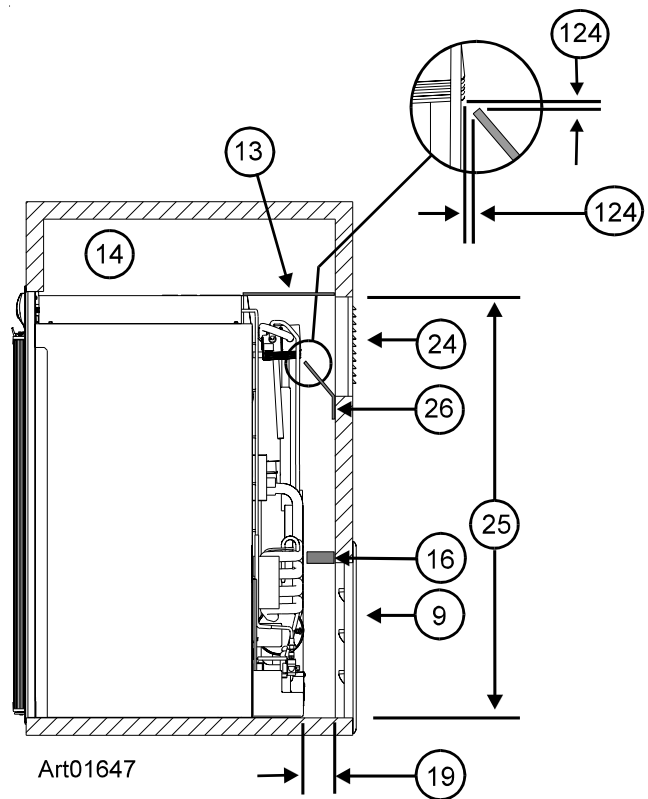
Art01570



Art01571



Art01572



Art01647