

MANUAL



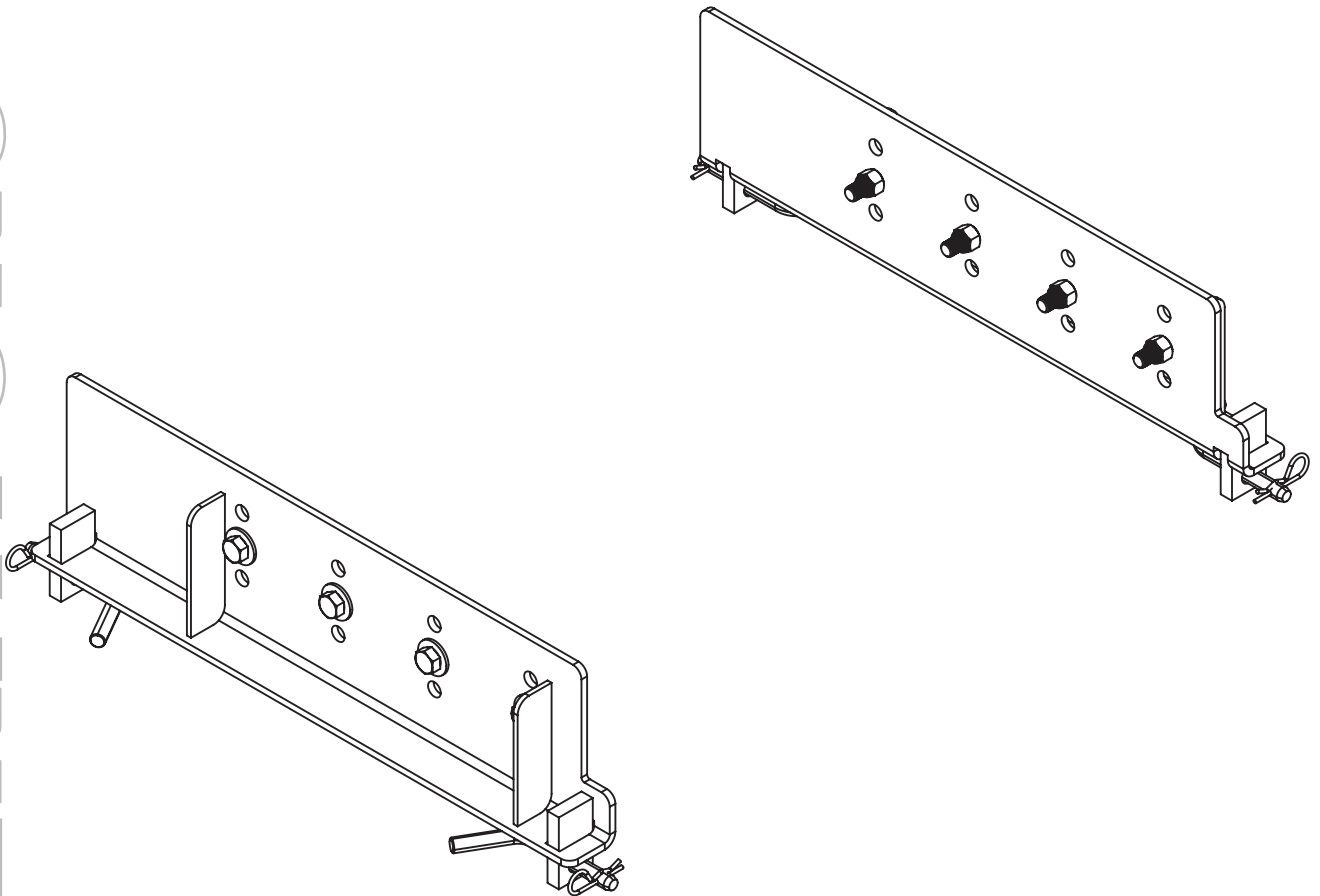
5-14
HJ26003, Rev 1



5th Wheel Side Rail Assemblies

6003 AUTOSLIDE UL

OPERATORS



READ *complete manual CAREFULLY
BEFORE attempting operation.*

Doing Our Best to Provide You the Best

Table of Contents

Warranty Policy & Registration	2
Torque Specifications	2
6003 UL AutoSlide Side Rail Parts List & Breakdown	2
6003 UL AutoSlide Side Rail Install	3



Torque Specifications

BOLT TORQUE DATA FOR STANDARD NUTS, BOLTS, AND CAPSCREWS.

Tighten all bolts to torques specified in chart unless otherwise noted. Check tightness of bolts periodically, using bolt chart as guide. Replace hardware with same grade bolt.

NOTE: Unless otherwise specified, high-strength Grade 5 hex bolts are used throughout assembly of equipment.

Torque figures indicated are valid for non-greased or non-oiled threads and heads unless otherwise specified. Therefore, do not grease or oil bolts or capscrews unless otherwise specified in this manual. When using locking elements, increase torque values by 5%.

* GRADE or CLASS value for bolts and capscrews are identified by their head markings.

Bolt Torque for Standard bolts *

"A"	GRADE 2		GRADE 5		GRADE 8	
	lb-ft	(N.m)	lb-ft	(N.m)	lb-ft	(N.m)
1/4"	6	(8)	9	(12)	12	(16)
5/16"	10	(13)	18	(25)	25	(35)
3/8"	20	(27)	30	(40)	45	(60)
7/16"	30	(40)	50	(70)	80	(110)
1/2"	45	(60)	75	(100)	115	(155)
9/16"	70	(95)	115	(155)	165	(220)
5/8"	95	(130)	150	(200)	225	(300)
3/4"	165	(225)	290	(390)	400	(540)
7/8"	170	(230)	420	(570)	650	(880)
1"	225	(300)	630	(850)	970	(1310)

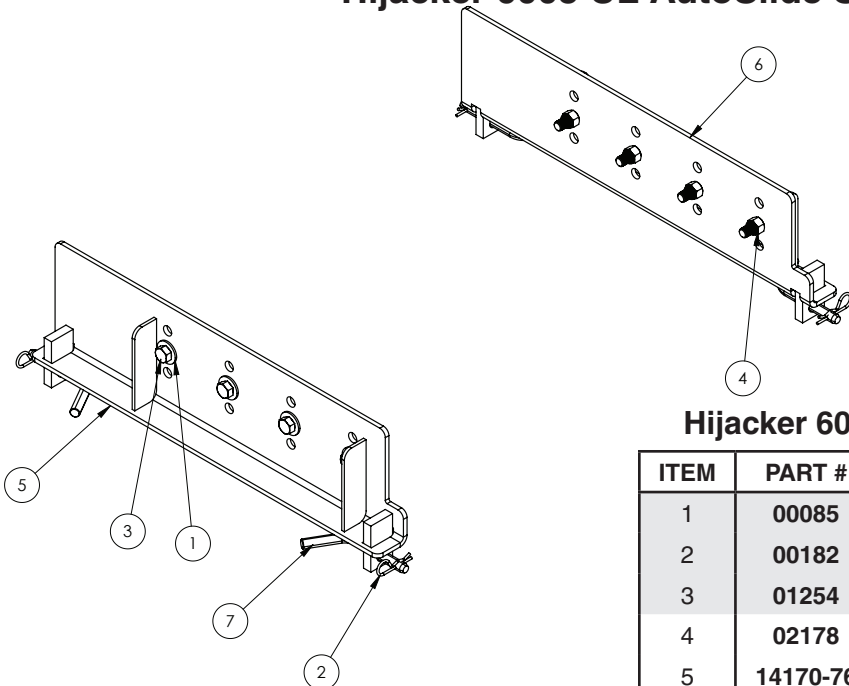
Bolt Torque for Metric bolts *

"A"	CLASS 8.8		CLASS 9.8		CLASS 10.9	
	lb-ft	(N.m)	lb-ft	(N.m)	lb-ft	(N.m)
6	9	(13)	10	(14)	13	(17)
7	15	(21)	18	(24)	21	(29)
8	23	(31)	25	(34)	31	(42)
10	45	(61)	50	(68)	61	(83)
12	78	(106)	88	(118)	106	(144)
14	125	(169)	140	(189)	170	(230)
16	194	(263)	216	(293)	263	(357)
18	268	(363)	--	--	364	(493)
20	378	(513)	--	--	515	(689)
22	516	(699)	--	--	702	(952)
24	654	(886)	--	--	890	(1206)

WARRANTY POLICY & REGISTRATION

Go online to www.demco-products.com to review Demco warranty policies and register your Demco product.

Hijacker 6003 UL AutoSlide Side Rail Parts List



Hijacker 6003 UL AutoSlide Side Rail Parts List

ITEM	PART #	QTY	DESCRIPTION
1	00085	8	.50 FLAT WASHER
2	00182	4	HAIR PIN, .120 WIRE X 2.375
3	01254	8	BOLT, .50 NC X 1.50 GR.5 HEX
4	02178	8	NUT, .50NC LOCK, NY. INSERT
5	14170-76	1	UAS SIDE RAIL, LEFT
6	14171-76	1	UAS SIDE RAIL, RIGHT
7	14566-95	4	ATTACHING PIN

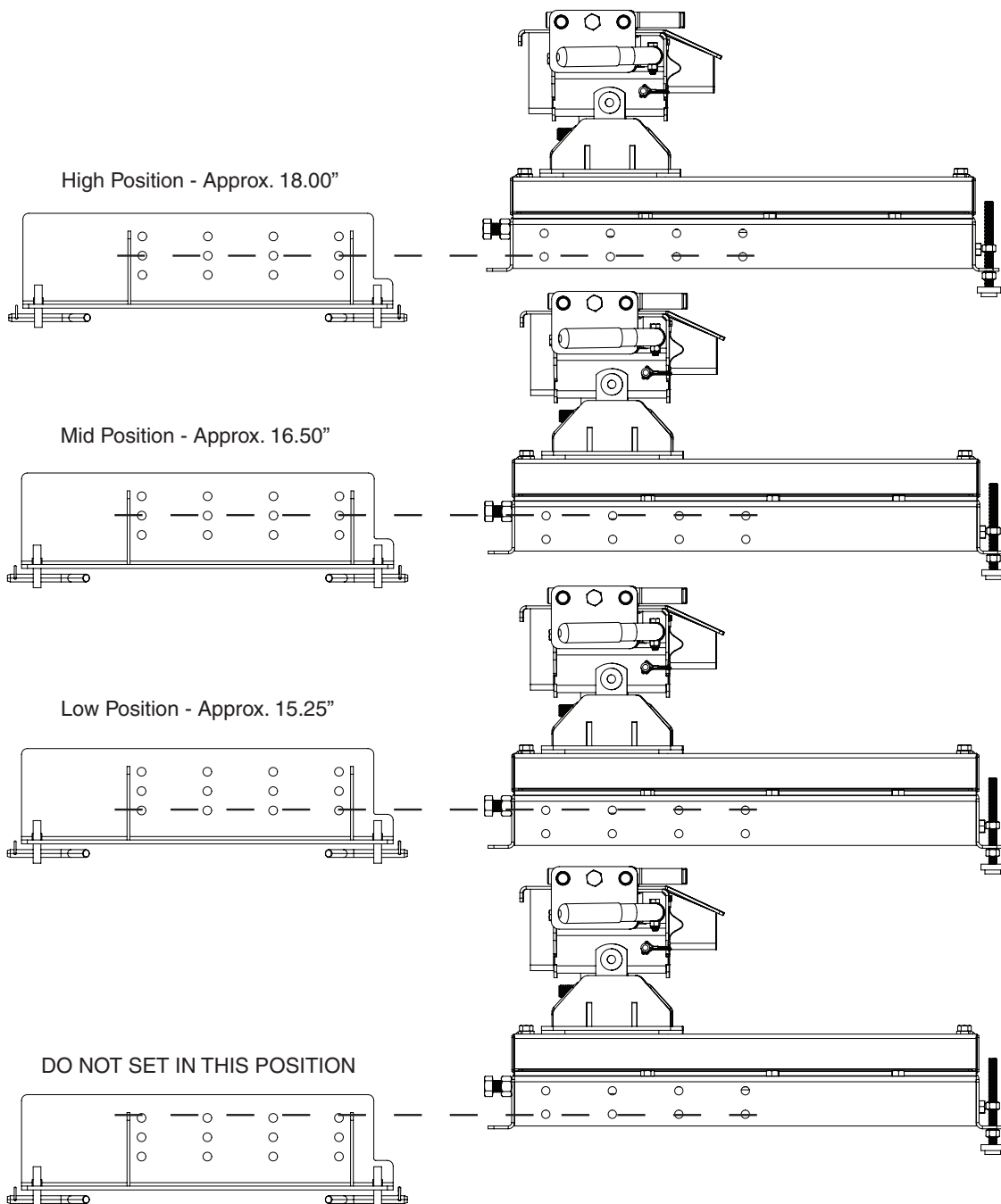
Please order replacement parts by **PART NO.** and **DESCRIPTION.**

Hijacker 6003 UL AutoSlide Side Rail Install

General Assembly and Install Instructions

Hitch Assembly:

1. Loosely bolt the main AutoSlide assembly to the side rails using the 1/2" x 1 1/2" bolts, flat washers, and lock nuts provided in the side rail bolt package at the predetermined height using the bolt pattern guide in drawings below. Hitch positions below are suggested height settings, you may use other hole settings to fine tune your height.
IMPORTANT: Install side rails with notch towards tailgate of truck and never use the top mounting holes of side mounts with the bottom holes of the hitch.
2. Tighten all the bolts.
3. Unlock locking pins and insert the hitch assembly into the base rails and test for fit.
4. Proceed to base rail install procedure as provided in the base rail installation kit.





P.O. BOX 189
4010 320th St., BOYDEN, IA. 51234
PH: (712) 725-2311
FAX: (712) 725-2380
TOLL FREE: 1-800-54DEMCO (1-800-543-3626)
www.demco-products.com

**Go online to www.demco-products.com for Demco
warranty policies & product registration.**