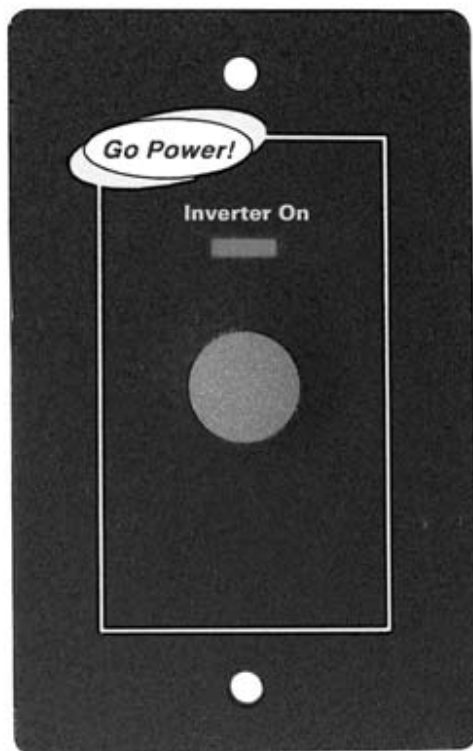




Go Power! Manual

GP-Remote



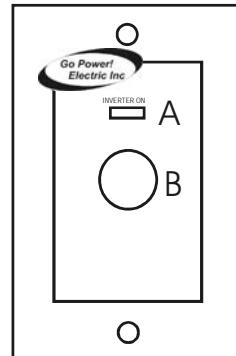
1.0 Locking Remote

The GP-Remote can be used for the GP-1000, GP-1750 and GP-2500 inverters. It features an LED indicator showing inverter status, on/ off switch and 25" cable that simply plugs into the inverter.

1.1 Features

A: LED indicator

B: Push button



1.2 Indicator

Solid Green - Inverter "on"

No Colour - Inverter "off"

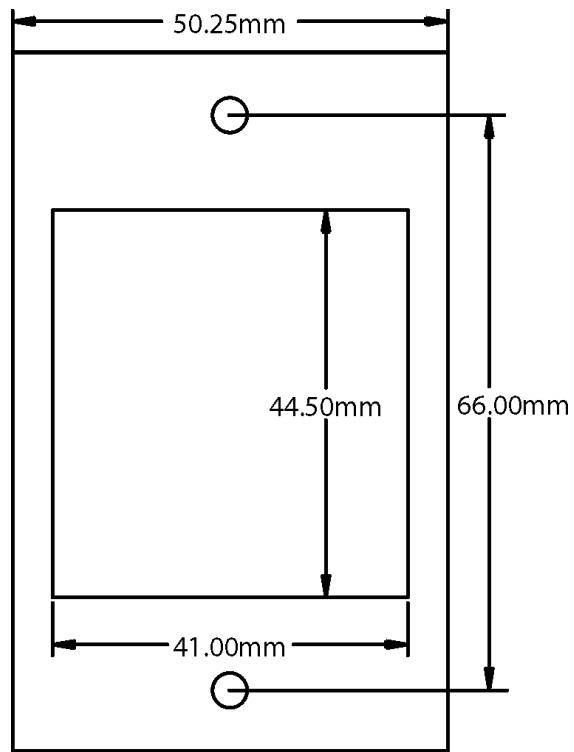
1.3 Functions

Short push (1 sec) - Inverter ON / OFF

2.0 Mounting a GP Remote

1. Cut out the template at right and position it on the wall where remote is to be mounted.
2. Mark the location of the two holes, and the square area to be cut out. Note: Remote switch assembly requires 3/4" (18mm) minimum clear panel depth.
3. Drill two holes, 1/8" (2.8mm) diameter and remove the cutout area.
4. Feed the phone jack connector and wire through the cutout hole in the panel and route the wire to the inverter phone jack receptacle.
5. Position the remote switch assembly upright and secure to the panel using the two screws provided. Plug the phone jack into the inverter. Press the button to turn the inverter on and off.

3.0 Mounting Template



GP Remote Install Fix Sept 04



© 2008 Carmanah Technologies Corporation
www.carmanah.com

Go Power!
Building 4, 203 Harbour Road
Victoria, British Columbia
Canada V9A 3S2
Toll Free: 1.877.722.8877 | Fax: +1.250.380.0062
Email: info@carmanah.com

Number: GP_Remote_57152_Manual_vB