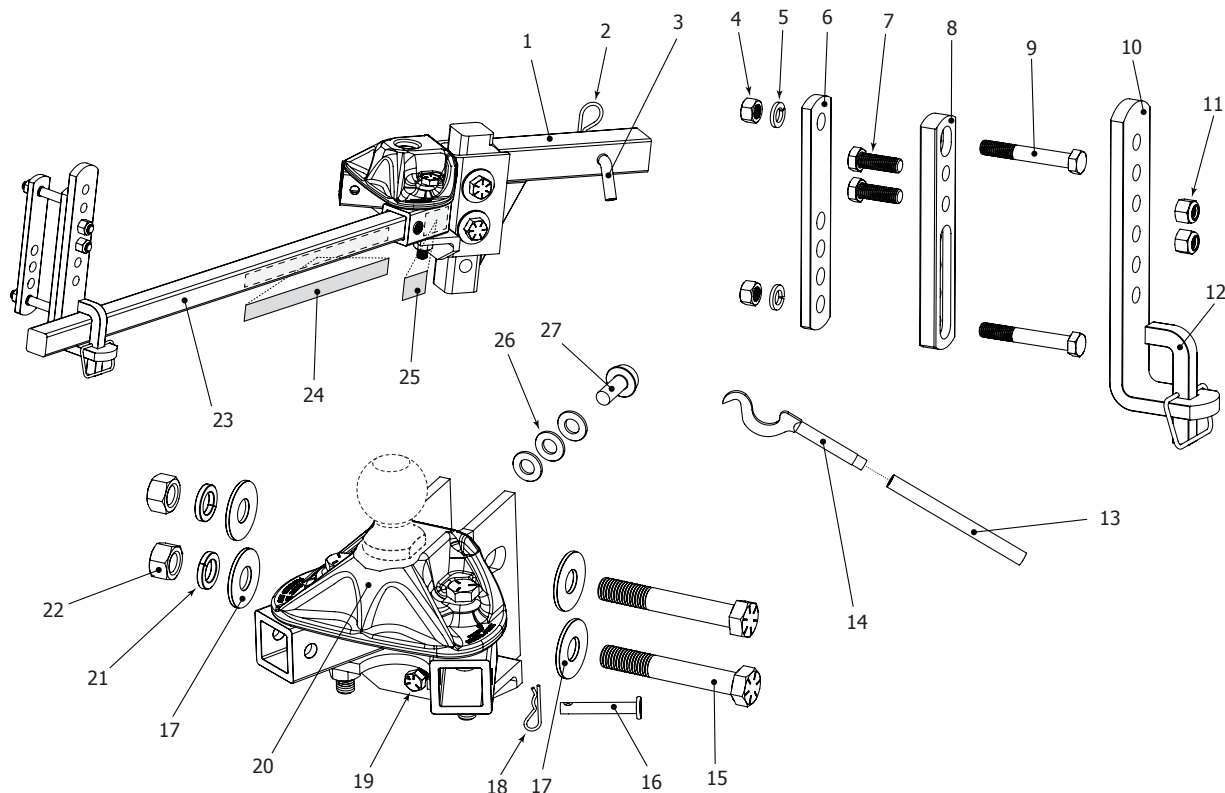


# Parts Breakdown 6K-14K Models



## 6-14K Models

Item #	Part Number	Part Description	Qty.
1	90-02-4100	Adjustable Shank	1
2	90-04-9224	Hitch Pin Clip	1
3	90-03-9220	Hitch Pin	1
4	90-04-9228	1/2" Nut	4
5	90-04-9290	1/2" Lock Washer	4
6	90-02-5200	Inside Link Plate	2
7	90-04-9281	1/2" x 1-1/2" Bolt	4
8	90-02-5370	Outside Link Plate	2
9	90-04-9270	1/2" x 3-1/2" Bolt	4
10	90-02-5150	L-Bracket	2
11	90-04-9286	1/2" Nylock Nut	4
12	90-03-9230	Snap L-Pin	2
13	90-03-6200	Snap-up Handle	1
14	90-03-6100	Snap-up Hook	1
15	90-04-9131	3/4" x 5" Bolt	2
16	90-03-9212	Socket Pin	2
17	90-04-9115	3/4" Washer	4
18	90-04-9216	Socket Pin Clip	2

*continued*

19	90-03-9700	Angle Set Bolt	1
20	90-02-0600	600 / 6,000 lb. Head	1
	90-02-1000	1,000 / 10,000 lb. Head	
	90-02-1200	1,200 / 12,000 lb. Head	
	90-02-1400	1,400 / 14,000 lb. Head	
21	90-04-9120	3/4" Lock Washer	2
22	90-04-9126	3/4" Nut	2
23	90-02-0699	6,000 lb. Spring Arm	2
	90-02-1099	10,000 lb. Spring Arm	
	90-02-1299	12,000 lb. Spring Arm	
	90-02-1499	14,000 lb. Spring Arm	
24	BD064	6,000 lb. Arm Sticker	2
	BD104	10,000 lb. Arm Sticker	
	BD124	12,000 lb. Arm Sticker	
	BD144	14,000 lb. Arm Sticker	
25	BD035	Socket Warning Sticker	2
26	90-03-9105	Spacer Rivet	1
27	90-04-9110	Spacer Washer	6