

Installation Book

VA7306 - VA7307 - VA8306D - VA8306S

FURNITURE CUT-OUT

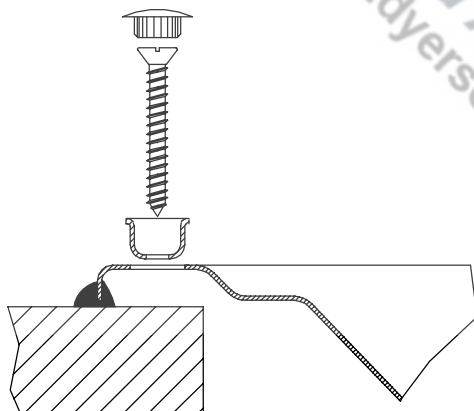
Make a hole in the furniture as indicated in FIG. 2

FIXING OF THE APPLIANCE

The appliance must be secured by means of the fastening screws as indicated in FIG. 1:

- 1) insert the appliance in the hole (chapter "FURNITURE CUT-OUT");
- 2) screw down;
- 3) tighten the screws.

FIG. 1

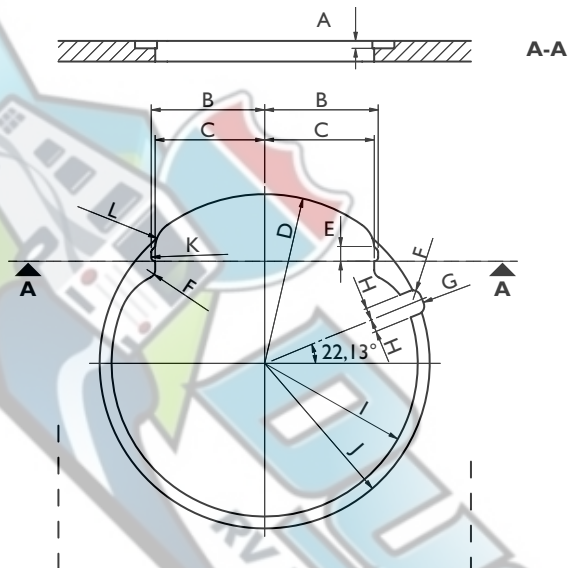
VA7306
VA7307
VA8306D
VA8306S

Screws included

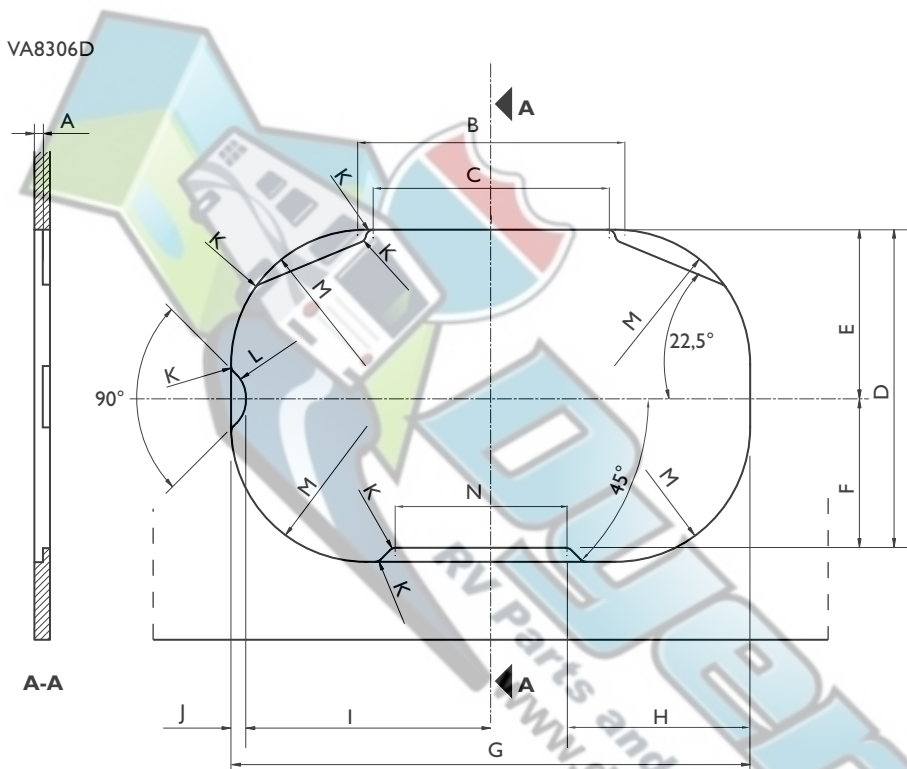
Document No.:
COD47REV1
(Replaces:
COD470171008)
Date: 2009-11
©Dometic, LLC
USA:
574-294-2511
Canada:
519-720-9578

FIG. 2

VA7306
VA7307



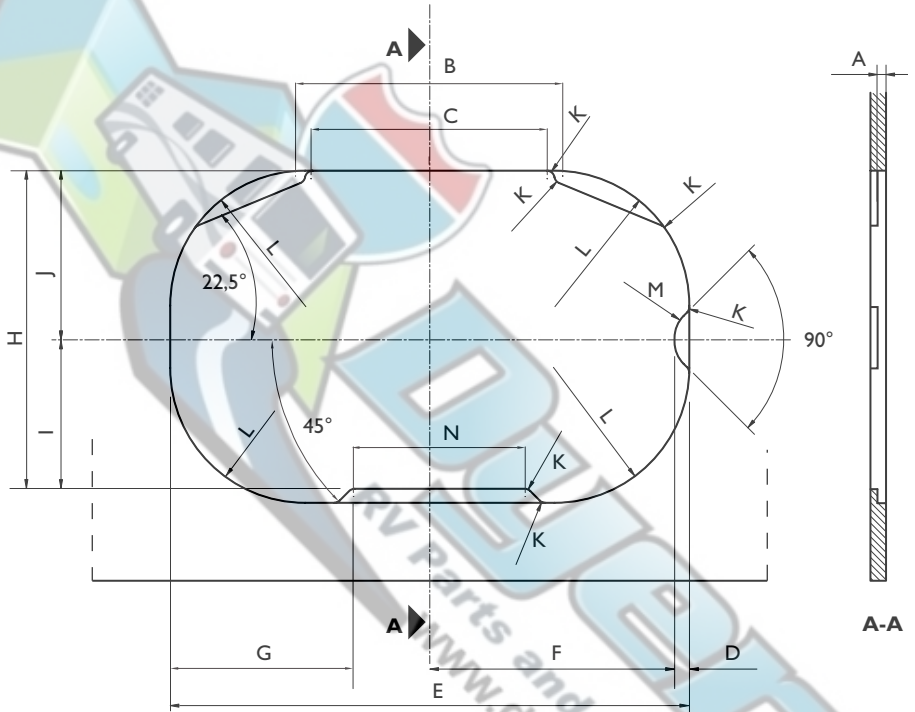
	mm	inch
A	9	3/8"
B	137,5	5 13/32"
C	132,7	5 7/32"
D	205	8 1/16"
E	18	23/32"
F	10	13/32"
G	206	8 1/8"
H	15	19/32"
I	185,5	7 5/16"
J	200	7 7/8"
K	4,5	3/16"
L	34,5	1 3/8"



	mm	inch
A	11	7/16"
B	339,7	13 3/8"
C	300,2	11 13/16"
D	426	16 25/32"
E	217	8 17/32"
F	191	7 1/2"
G	666	26 7/32"
H	232,5	9 5/32"
I	314	12 3/8"
J	19	3/4"
K	10	13/32"
L	40	1 9/16"

	mm	inch
M	173	6 13/16"
N	222,4	8 3/4"

VA8306S



	mm	inch
A	11	7/16"
B	339,7	13 3/8"
C	300,2	11 13/16"
D	19	3/4"
E	666	26 7/32"
F	314	12 3/8"
G	232,5	9 5/32"
H	426	16 25/32"
I	191	7 1/2"
J	217	8 17/32"
K	10	13/32"
L	173	6 13/16"

	mm	inch
M	40	1 9/16"
N	222,4	8 3/4"