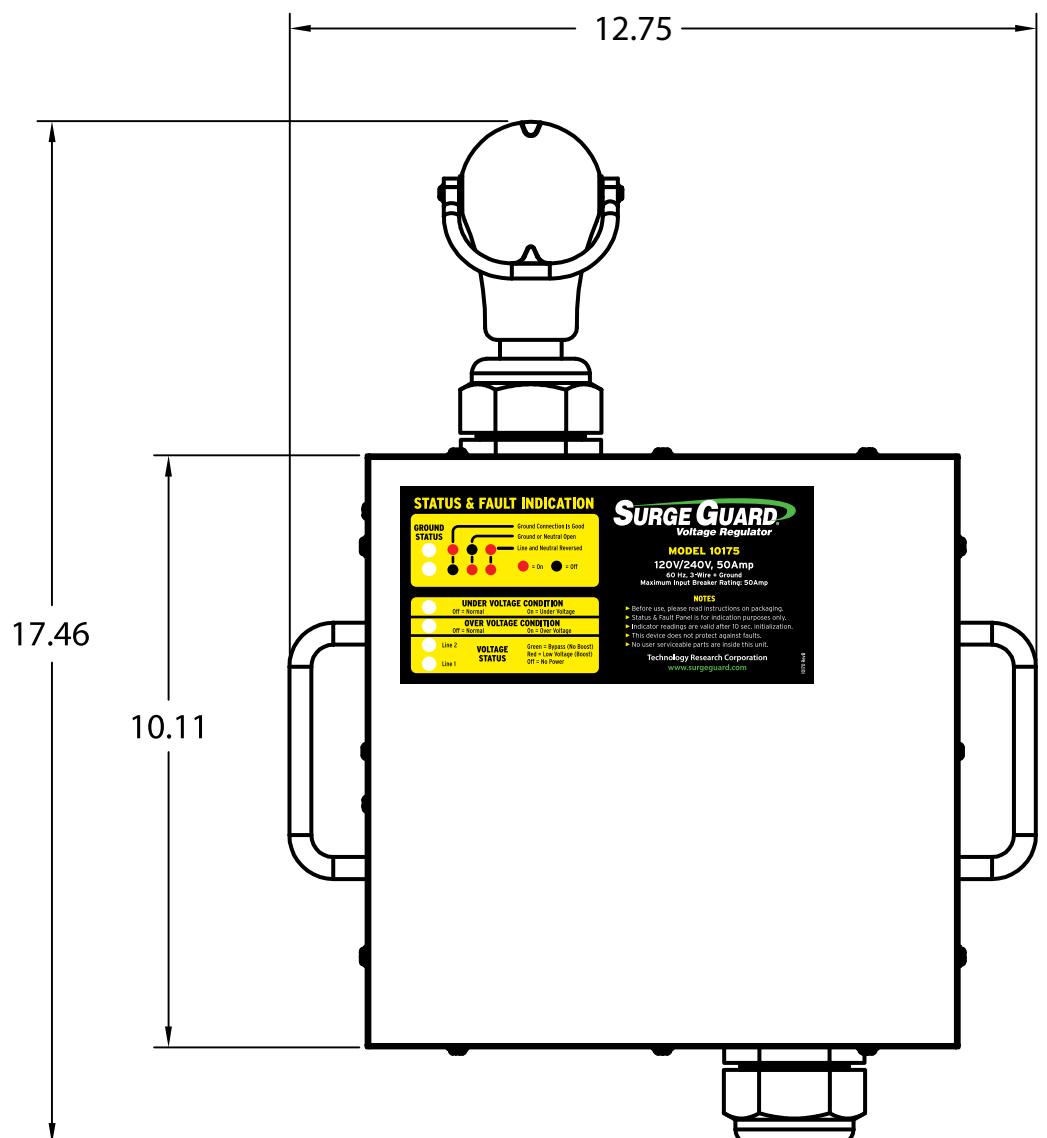
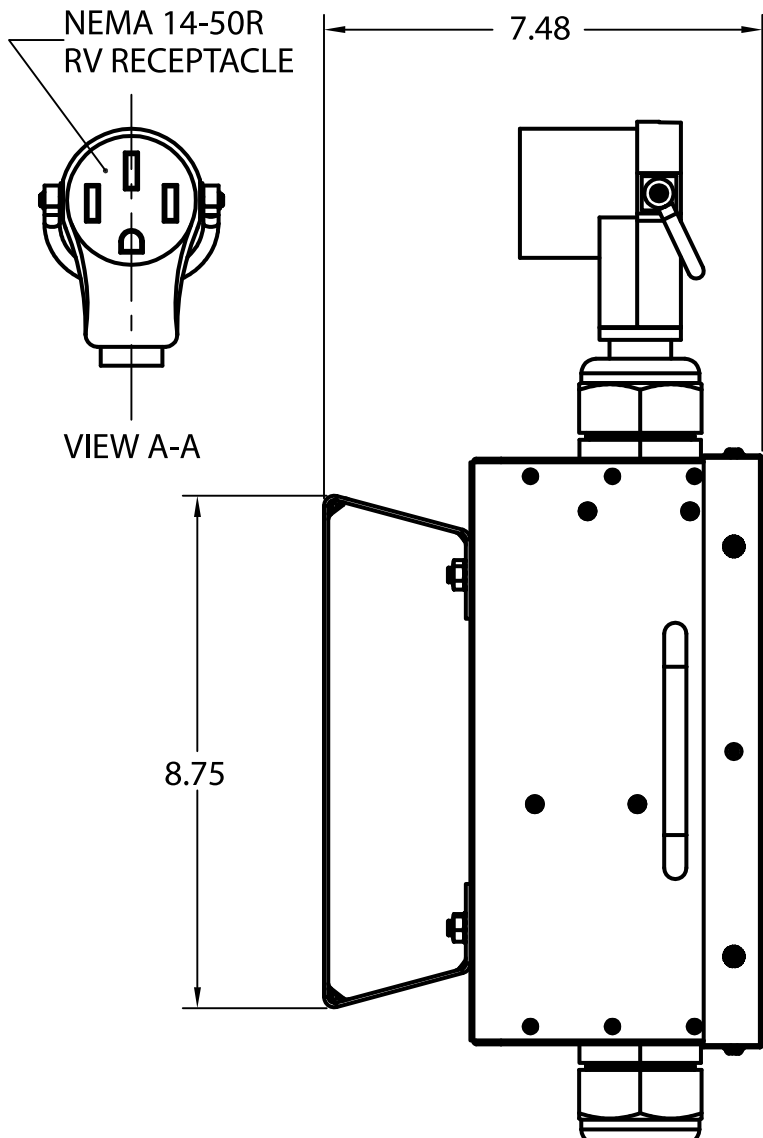
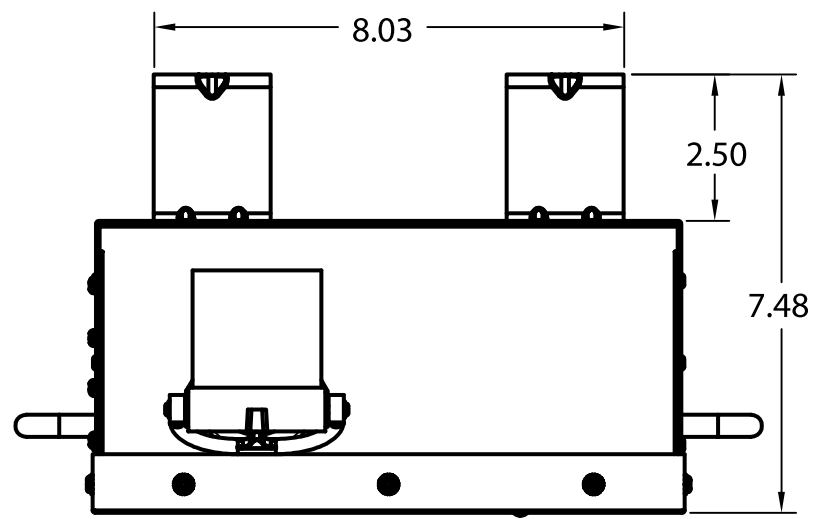


# SURGE GUARD®

## Voltage Regulator

### 30 Amp and 50 Amp Models



NEMA 14-50P  
RV PLUG

5 FT LONG CORD  
SHOWN COILED

**STATUS & FAULT INDICATION**

**SURGE GUARD**  
Voltage Regulator

**MODEL 10175**  
120V/240V, 50Amp  
10 Hz, 3-Phase Ground  
Maximum Input Breaker Rating: 50Amp

**NOTES**

- Before use, please read instructions on packaging.
- Status & Fault Panel is for indication purposes only.
- Indicator readings are valid after 30 sec. initialization.
- This device does not protect against faults.
- No user serviceable parts are inside this unit.

TechniKey Research Corporation  
www.surgeguard.com

GROUND STATUS	
Green	Ground Connection is Good
Yellow	Ground or Neutral Open
Red	Line and Neutral Reversed
Off	Off

UNDER VOLTAGE CONDITION	
Green	Line Voltage
Yellow	Low Voltage
Red	Off

OVER VOLTAGE CONDITION	
Green	Line Voltage
Yellow	High Voltage
Red	Off

VOLTAGE STATUS	
Green	Stable - Regulate (No Fault)
Yellow	Regulate (Low Voltage Fault)
Red	Regulate (High Voltage Fault)
Off	No Power